

| Rev | AWO # | Description | Date | Appr |
|-----|-------|-------------|--------|------|
| - | | RELEASED | 7/7/06 | |

6

5

4

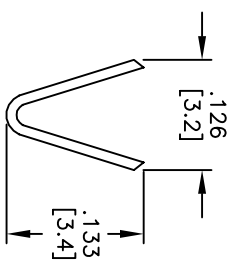
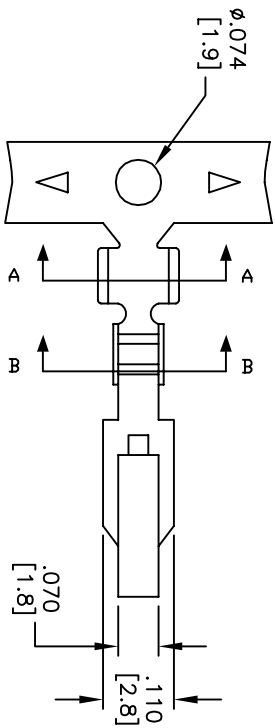
3

2

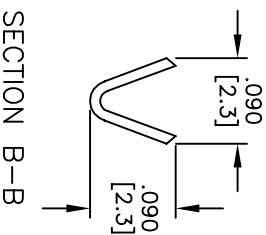
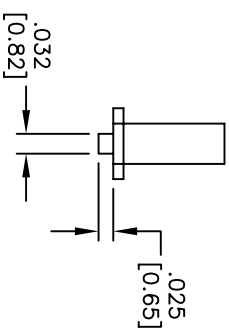
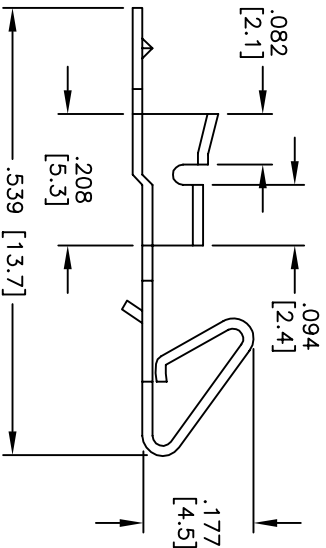
1

APPROVED: _____

DATE: _____ TITLE: _____



SECTION A-A



SECTION B-B

SPECIFICATIONS:**Contact Material:** Copper Alloy

Plating: Tin

Wire Range: (24-18) AWG

Max Insulation: ϕ .098 [2.5mm]

Use with MTG-XX Housing

Packaging:

MTG-C-B = (Bulk Packed)

MTG-C-R = 6,000 pieces / reel

Environmental:

Lead free, RoHS compliant

UNLESS OTHERWISE SPECIFIED
ALL DIMENSIONS ARE INCHES [MM]
TOLERANCES: EXCEPT AS NOTED

INCHES

.X ± .10 ØX ± .10

.XX ± .020 ØXX ± .015

.XXX ± .015 ØXXX ± .010

APPROVALS

DATE

DRAWN

SS

TITLE
POWER LATCH CRIMP, FOR MTG-06
156 [3.96] PITCH**ADAM TECH**

909 Railway Avenue, Union, NJ 07083

Phone: 908-687-5000 Fax: 908-687-5710

SIZE PART NO. MTG-C-X

REF: SCALE: NTS SHEET 1 OF 1

A

B

C

D

A

B

C

D

6

5

4

3

2

1