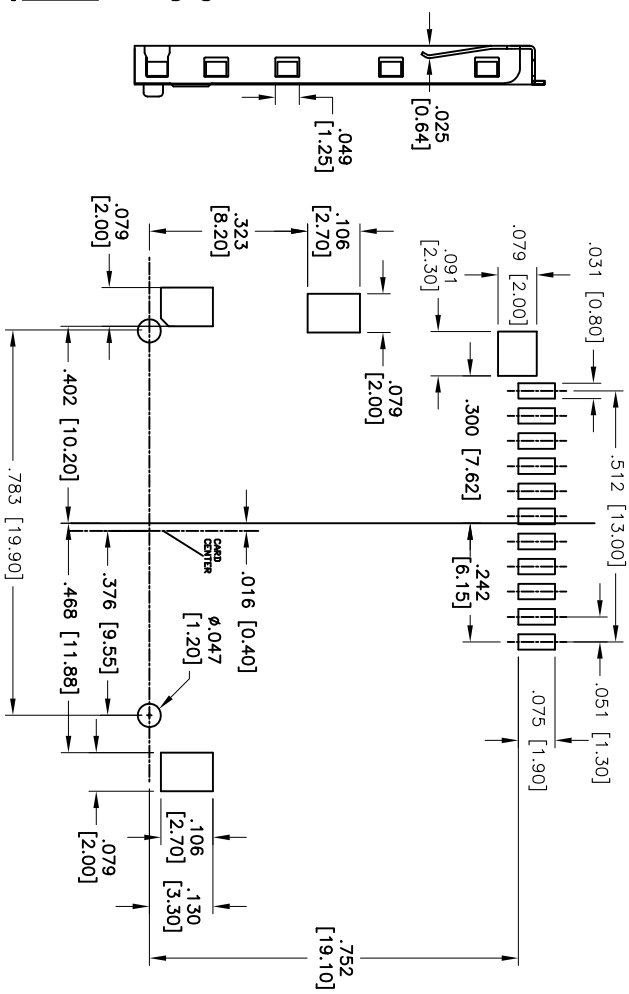
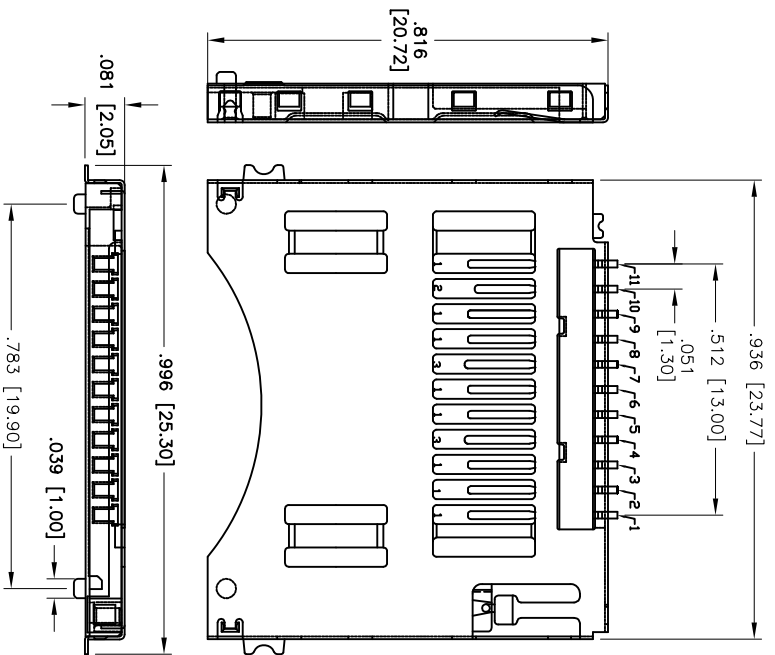


Rev	AWO #	Description	Date	Appr
-		RELEASED	11/30/10	

APPROVED: _____
 DATE: _____ TITLE: _____



Recommended PCB Layout

1	DAT1	MIDDLE
2	DATO	MIDDLE
3	VSS	MIDDLE
4	CLK	MIDDLE
5	VDD	LONG
6	NC	MIDDLE
7	NC	MIDDLE
8	VSS	LONG
9	CM1	MIDDLE
10	CD/DAT3	SHORT
11	DAT2	MIDDLE

SPECIFICATIONS:

- Material: Insulator: LCP, rated UL 94V-0
- Insulator color: Black
- Contacts: Phosphor Bronze
- Plating: Gold Flash over Nickel underplate on contact area, Tin over Copper underplate on SMT tails
- Electrical: Current rating: 0.5 Amps max
- Contact resistance: 80 mohms max.
- Insulation resistance: 1000 Mohms min @ 500V DC
- Dielectric withstanding voltage: 500 VAC for 1 minute
- Temperature Rating: Operating temperature: -25°C to +85°C
- Environmental: Lead free, RoHS compliant.
- Recommended soldering temp: 260°C for 5 sec.



UNLESS OTHERWISE SPECIFIED
 ALL DIMENSIONS ARE INCHES. [MM]
 TOLERANCES: EXCEPT AS NOTED
 INCHES: .X ± .10 Ø.X ± .10
 .XX ± .020 Ø.XX ± .015
 .XXX ± .015 Ø.XXX ± .010

ADAM TECH
 909 Rahway Avenue, Union, NJ 07083
 Phone: 908-687-5000 Fax: 908-687-5710

APPROVALS	DATE	TITLE	SIZE	PART NO.	REV.
DRAWN AY	11/30/10	MINI SD SOCKET, PUSH-PUSH TYPE REVERSE MOUNT	X	MSDPR-11-C-SG	-
CHECKED SC	11/30/10				
APPROVED					