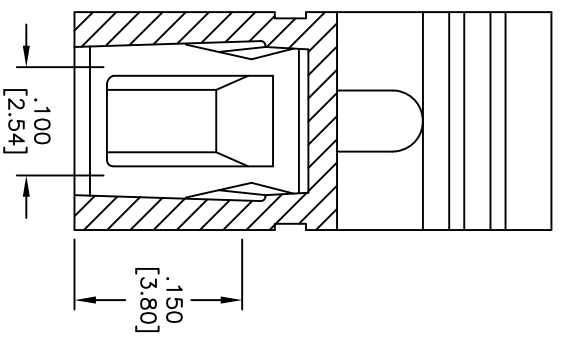
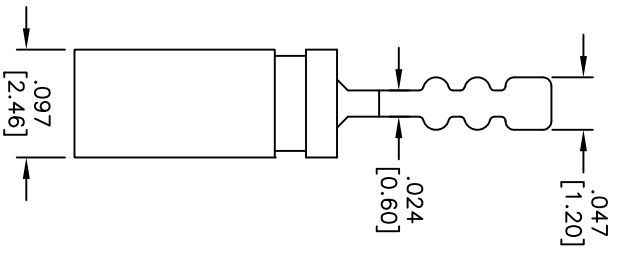
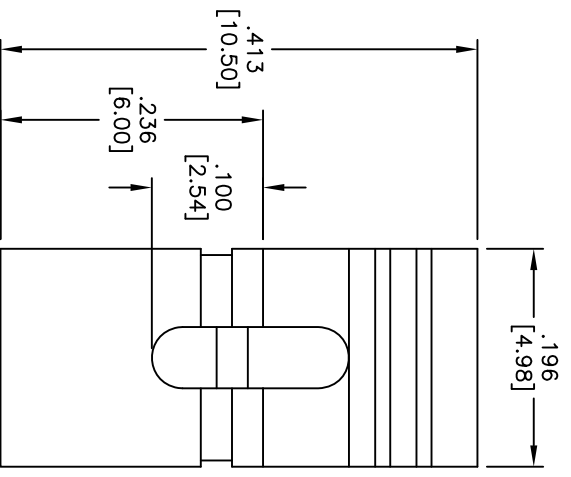


Rev	AWO #	Description	Date	Appr
-		RELEASED	12/02/10	

APPROVED: _____
 DATE: _____ TITLE: _____



SPECIFICATIONS:

- Material: Insulator: Nylon 66, rated UL 94V-2
- Insulator color: Black
- Contacts: Phosphor Bronze
- Plating: Gold flash over Nickel underplate overall
- Electrical: Current rating: 3 Amp max
- Contact resistance: 30 mohms max
- Insulation resistance: 1,000 Mohms max
- Dielectric withstanding voltage: AC 650 volts RMS at sea level
- Environmental: Lead free, RoHS compliant



ADAM TECH

909 Rahway Avenue, Union, NJ 07083
 Phone: 908-687-5000 Fax: 908-687-5710

TITLE: .100 [2.54] MINI SHUNT, WITH HANDLE
 .413 [10.50] HEIGHT

UNLESS OTHERWISE SPECIFIED ALL DIMENSIONS ARE INCHES [MM]	
TOLERANCES: EXCEPT AS NOTED	HOLDS
.X ± .10	ØX ± .10
.XX ± .020	ØXXX ± .015
.XXX ± .015	ØXXX ± .010
APPROVALS	DATE
DRAWN	DY
CHECKED	12/02/10
APPROVED	

SIZE	PART NO.	REV.
X	MSBH-GH10.5	-
REF: S00078T	SCALE: NTS	SHEET 1 of 1