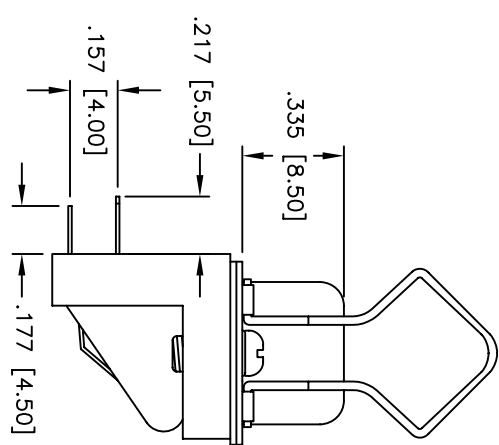
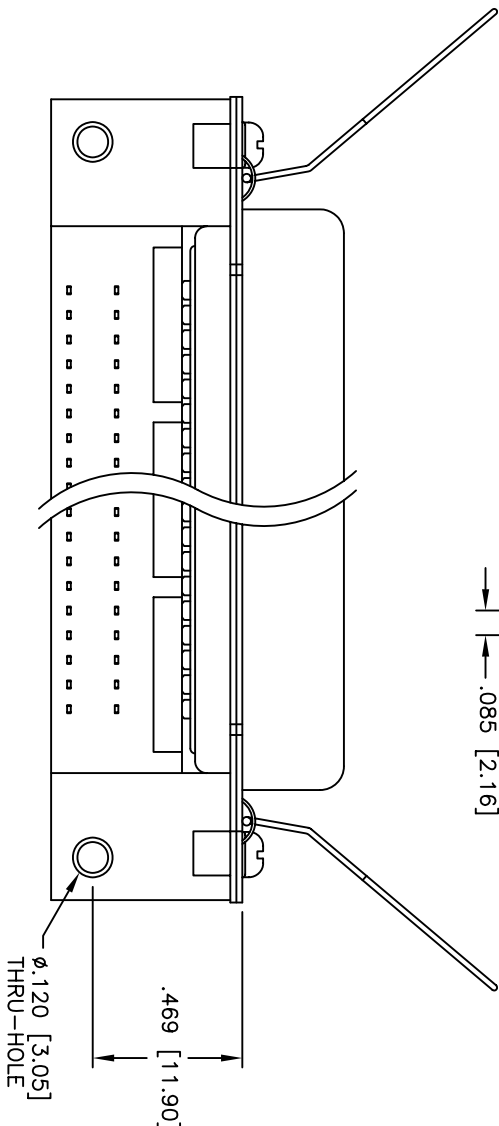
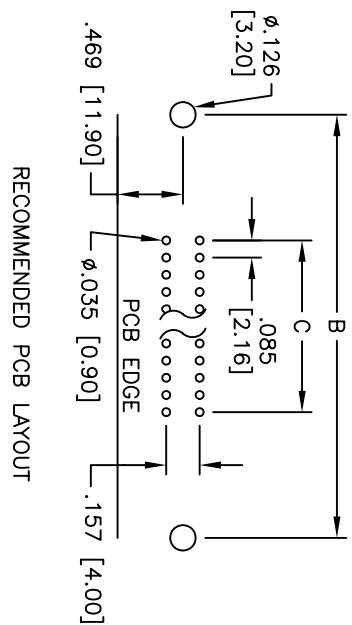
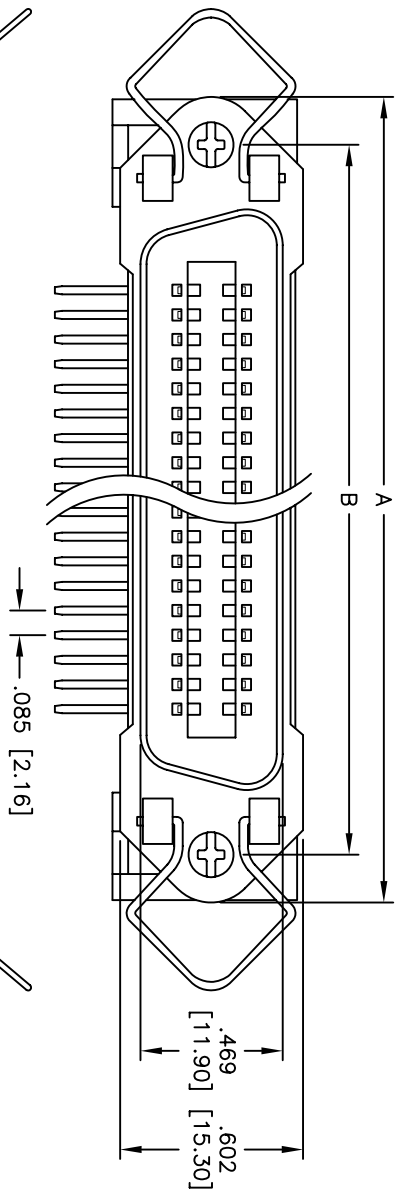


Rev	AWO #	Description	Date	Appr
-		RELEASED	5/18/05	

APPROVED: _____
 DATE: _____ TITLE: _____



MIRXX	NO. OF CONTACTS	DIMENSIONS		
		A	B	C
MR14	14	1.728 [43.90]	1.417 [36.00]	.510 [12.96]
MR24	24	2.154 [54.70]	1.843 [46.80]	.935 [23.76]
MR36	36	2.665 [67.70]	2.350 [59.70]	1.446 [36.72]
MR50	50	3.260 [82.80]	2.949 [74.90]	2.041 [51.84]

ADAM TECH

909 Rahway Avenue, Union, NJ 07083
 Phone: 908-687-5000 Fax: 908-687-5710

MINIATURE RIBBON SOCKET
 RIGHT ANGLE PCB, .120 [3.05] HOLES

SPECIFICATIONS:

Material: Insulator: PBT, glass reinforced, rated UL 94V-0
 Insulator color: Blue
 Contacts: Phosphor Bronze
 Shell: Steel, Nickel plated
 Plating: Gold flash over Nickel underplate on mating area, Tin over Copper underplate on tails

Electrical:

Operating voltage: 250 VAC max
 Current rating: 1 Amp max
 Contact resistance: 35 mohms max
 Insulation resistance: 1,000 Mohms min
 Dielectric withstanding voltage: 1,000 VAC for 1 minute
 Temperature Rating: Operating temperature: -55°C to +105°C
 Environmental: Lead free, RoHS compliant
 Recommended soldering temp: 235°C for 5 seconds



UNLESS OTHERWISE SPECIFIED ALL DIMENSIONS ARE INCHES [MM]		TOLERANCES: EXCEPT AS NOTED	
INCHES		Holes	
.X	± .10	Ø.X	± .10
.XX	± .020	Ø.XXX	± .015
.XXX	± .015	Ø.XXX	± .010
APPROVALS		DATE	
DRAWN	SS	5/18/05	
CHECKED			
APPROVED			
TITLE		SIZE	PART NO.
MINIATURE RIBBON SOCKET		X	MRXX-SD-1
RIGHT ANGLE PCB, .120 [3.05] HOLES		SCALE:	NTS
REV.		SHEET	1 OF 1