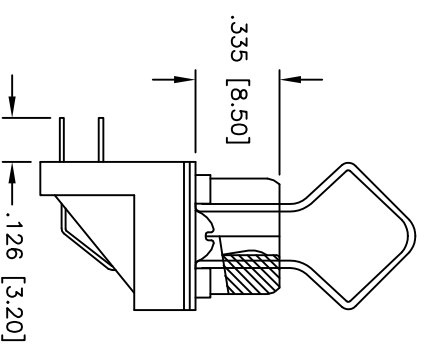
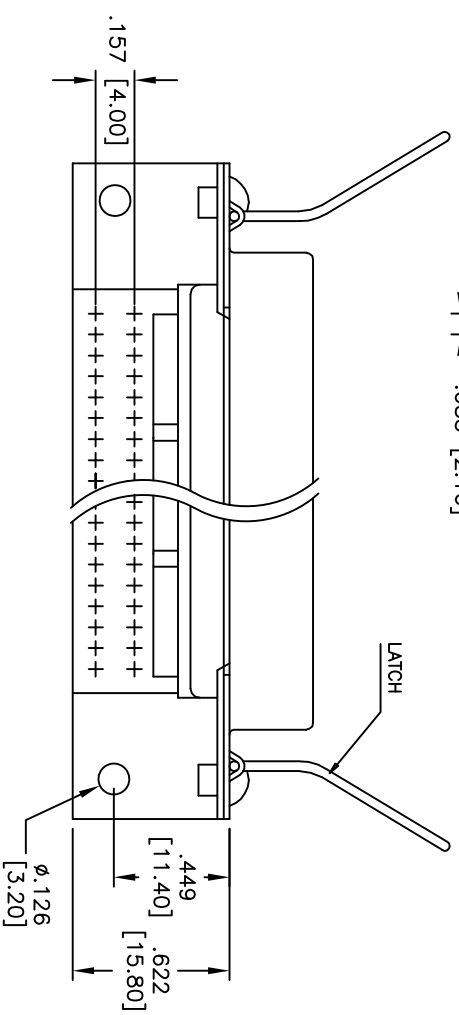
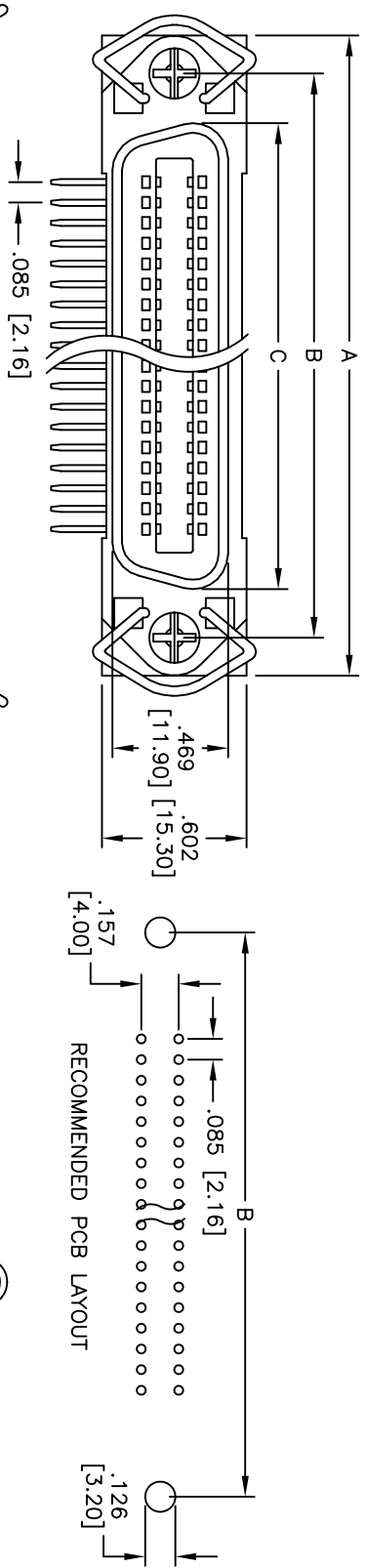


Rev	AWO #	Description	Date	Appr
-		RELEASED	7/15/10	

APPROVED: _____
 DATE: _____ TITLE: _____



MIRXX	NO. OF CONTACTS	DIMENSIONS		
		A	B	C
MR14	14	1.728 [43.90]	1.417 [36.00]	.992 [25.20]
MR24	24	2.154 [54.70]	1.843 [46.80]	1.417 [36.00]
MR36	36	2.665 [67.70]	2.350 [59.70]	1.925 [48.90]
MR50	50	3.260 [82.80]	2.949 [74.90]	2.524 [64.10]

ADAM TECH

909 Rahway Avenue, Union, NJ 07083
 Phone: 908-687-5000 Fax: 908-687-5710

MINIATURE RIBBON SOCKET
 RIGHT ANGLE PCB, COLOR BLACK

SPECIFICATIONS:
 Material: Insulator: PBT, glass reinforced, rated UL 94V-0
 Insulator color: Black
 Contacts: Copper Alloy
 Shell: Steel, Nickel plated
 Plating: Gold flash over Nickel underplate on mating area, Tin over Copper underplate on tails
 Electrical: Current rating: 5 Amp max
 Contact resistance: 25 mohms max
 Insulation resistance: 1,000 Mohms min
 Dielectric withstanding voltage: 1,000 VAC for 1 minute
 Temperature Rating: Operating temperature: -55°C to +105°C
 Environmental: Lead free, RoHS compliant
 Recommended soldering temp: 235°C for 5 seconds



UNLESS OTHERWISE SPECIFIED
 ALL DIMENSIONS ARE IN INCHES [MM]
 TOLERANCES: EXCEPT AS NOTED
 INCHES .X ±.10 ØXX ±.015
 .XX ±.020 ØXXX ±.010
 .XXX ±.015 ØXXXX ±.010

DRAWN	DY	7/15/10
CHECKED		
APPROVED		

SIZE	PART NO.	REV.
X	MRXX-SD-1-BK	-
REF: S00033T	SCALE: NTS	SHEET 1 OF 1