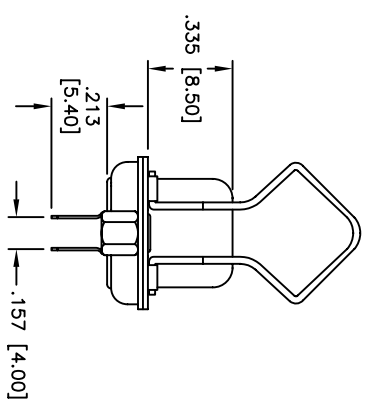
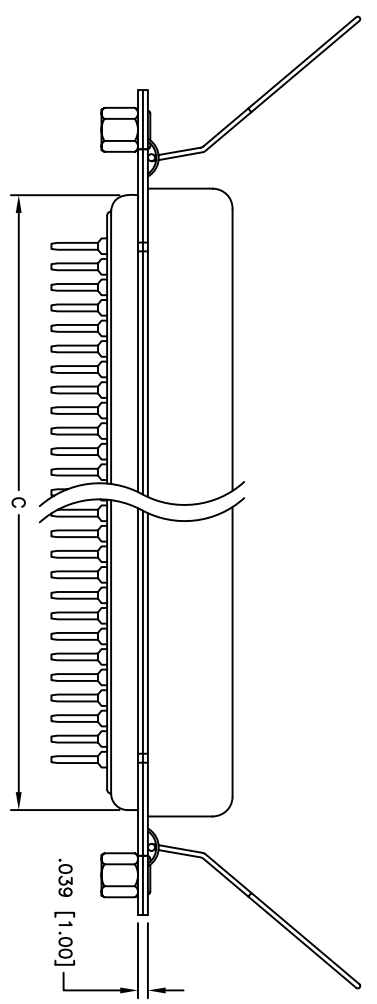
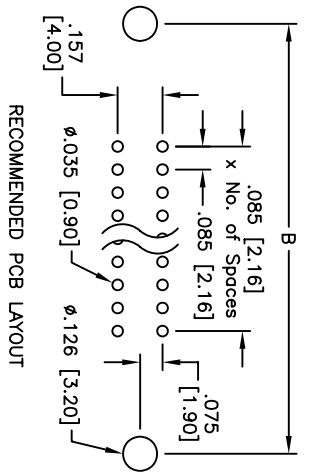
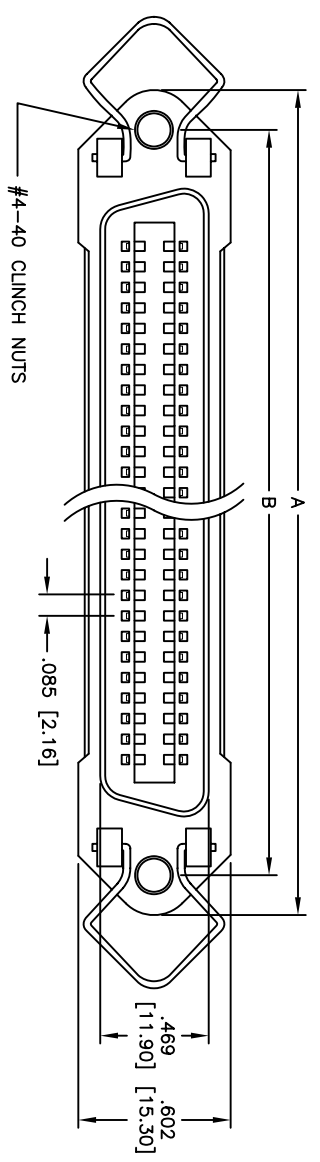


APPROVED: _____
 DATE: _____ TITLE: _____

Rev	AWO #	Description	Date	Appr
-		RELEASED	5/17/05	
A		GENERAL REVISION	4/19/06	



MRXX	NO. OF CONTACTS	DIMENSIONS		
		A	B	C
MR14	14	1.728 [43.90]	1.417 [36.00]	.894 [22.70]
MR24	24	2.154 [54.70]	1.843 [46.80]	1.319 [33.50]
MR36	36	2.665 [67.70]	2.350 [59.70]	1.835 [46.60]
MR50	50	3.260 [82.80]	2.949 [74.90]	2.429 [61.70]

SPECIFICATIONS:
 Material: Insulator: PBT, glass reinforced, rated UL 94V-0
 Insulator color: Blue
 Contacts: Phosphor Bronze
 Shell: Steel, Nickel plated
 Plating: Gold flash over Nickel underplate on mating area, Tin over Copper underplate on tails

Electrical:
 Operating voltage: 250 VAC max
 Current rating: 1 Amp max
 Contact resistance: 35 mohms max
 Insulation resistance: 1,000 Mohms min
 Dielectric withstanding voltage: 1,000 VAC for 1 minute
 Temperature Rating: Operating temperature: -55°C to +105°C

Environmental:
 Lead free, RoHS compliant
 Recommended soldering temp: 235°C for 5 seconds

UNLESS OTHERWISE SPECIFIED
 ALL DIMENSIONS ARE INCHES [MM]
 TOLERANCES: EXCEPT AS NOTED
 INCHES Holes ±.10
 .X ±.10 ØXX ±.10
 .XX ±.020 ØXXX ±.015
 .XXX ±.015 ØXXXX ±.010

ADAM TECH
 909 Rahway Avenue, Union, NJ 07083
 Phone: 908-687-5000 Fax: 908-687-5710

TITLE: MINIATURE RIBBON SOCKET
 PCB TERMINALS, #4-40 CLINCH NUTS

ROHS COMPLIANT

DRAWN	SS	5/17/05
CHECKED		
APPROVED		

SIZE	PART NO.	REV.
X	MRXX-SC-14	A
REF:	SCALE: NTS	SHEET 1 OF 1