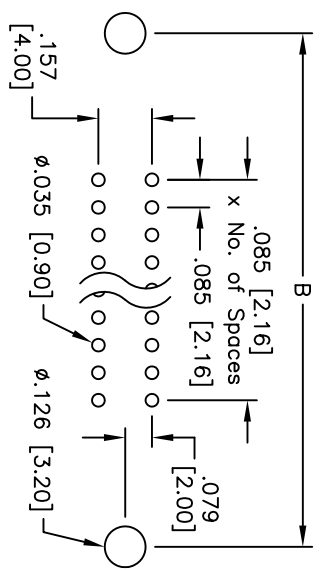
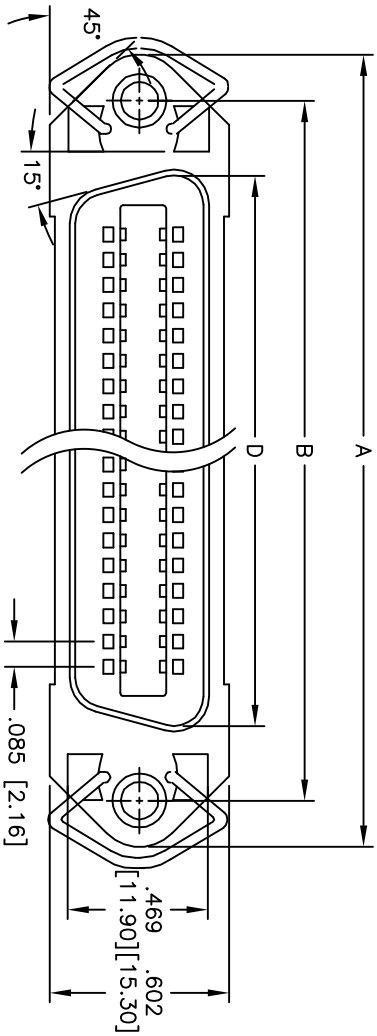
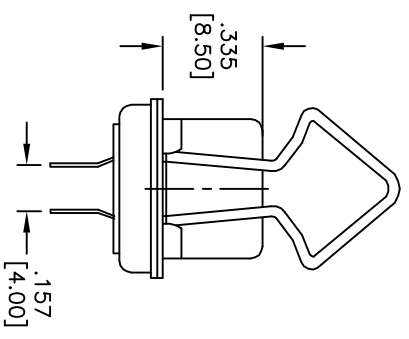
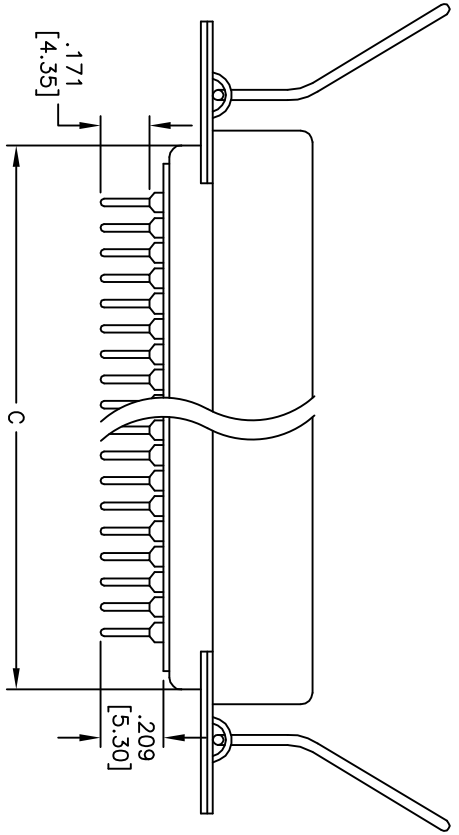


Rev	AWO #	Description	Date	Appr
-		RELEASED	11/25/10	

APPROVED: \_\_\_\_\_  
 DATE: \_\_\_\_\_ TITLE: \_\_\_\_\_



RECOMMENDED PCB LAYOUT



MRXX	NO. OF CONTACTS	DIMENSIONS			
		A	B	C	D
MR14	14	1.728 [43.90]	1.417 [36.00]	.894 [22.70]	.992 [25.20]
MR24	24	2.154 [54.70]	1.843 [46.80]	1.319 [33.50]	1.417 [36.00]
MR36	36	2.665 [67.70]	2.350 [59.70]	1.835 [46.60]	1.925 [48.90]
MR50	50	3.260 [82.80]	2.949 [74.90]	2.429 [61.70]	2.524 [64.10]

**SPECIFICATIONS:**  
 Material: Insulator: PBT, glass reinforced, rated UL 94V-0  
 Insulator color: Blue  
 Contacts: Phosphor Bronze  
 Shell: Steel, Nickel plated  
 Plating: Gold flash over Nickel underplate on mating area, Tin over Copper underplate on tails  
 Electrical: Current rating: 5 Amp max  
 Contact resistance: 25 Mohms max  
 Insulation resistance: 1,000 Mohms min  
 Dielectric withstanding voltage: 1,000 VAC for 1 minute  
 Temperature Rating: Operating temperature: -55°C to +105°C  
 Environmental: Lead free, RoHS compliant  
 Recommended soldering temp: 235°C for 5 seconds



**ADAM TECH**  
 909 Rahway Avenue, Union, NJ 07083  
 Phone: 908-687-5000 Fax: 908-687-5710

UNLESS OTHERWISE SPECIFIED ALL DIMENSIONS ARE INCHES [MM] TOLERANCES: EXCEPT AS NOTED		DRAWN: AY		DATE: 11/25/10	
INCHES: .10 ± .10, .020 ± .015, .015 ± .010, .XXX ± .015		CHECKED: AH		DATE: 11/25/10	
HOLE DIMENSIONS: .10 ± .10, .020 ± .015, .015 ± .010, .XXX ± .015		APPROVED:		DATE:	
TITLE: MINIATURE RIBBON SOCKET PCB TERMINALS, .120 [3.05] HOLES		SIZE: X		PART NO.: MRXX-SC-1-LI	
REV.:		REF.: S00037		SCALE: NTS	
SHEET 1 OF 1					