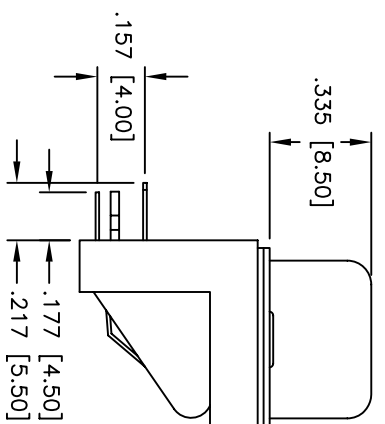
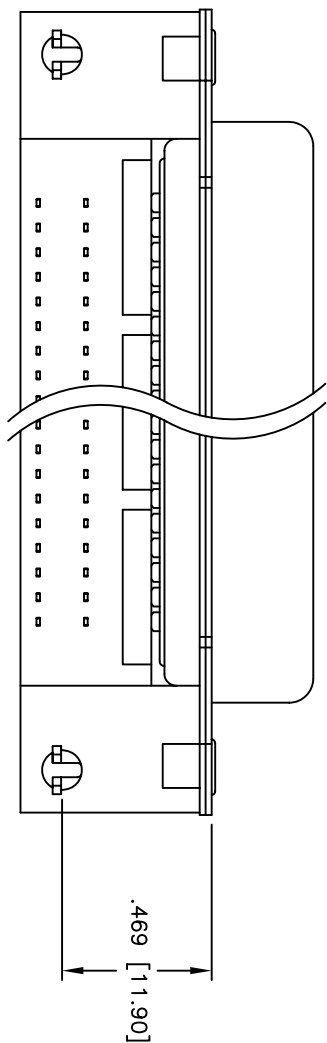
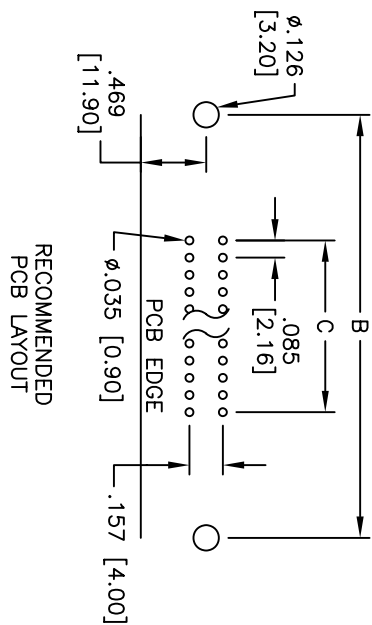
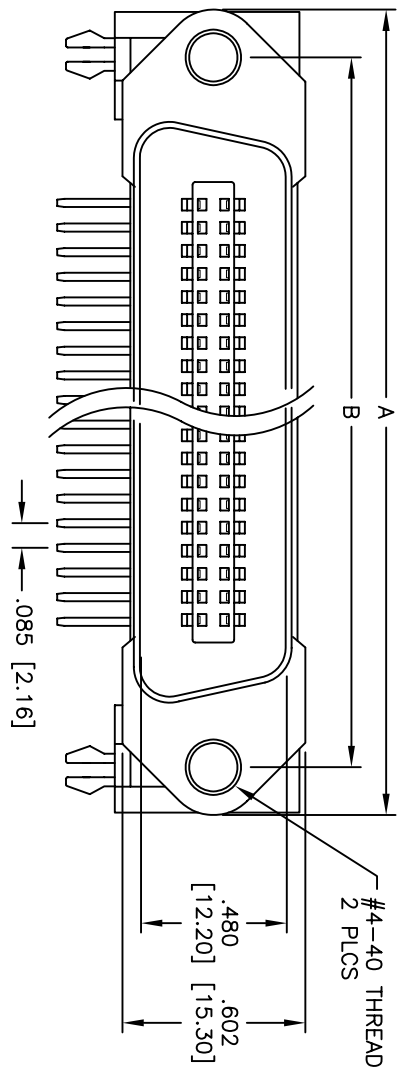


Rev	AWO #	Description	Date	Appr
-		RELEASED	3/11/08	

APPROVED: _____
 DATE: _____ TITLE: _____



MIRXX	NO. OF CONTACTS	DIMENSIONS		
		A	B	C
MR14	14	1.728 [43.90]	1.417 [36.00]	.510 [12.96]
MR24	24	2.154 [54.70]	1.843 [46.80]	.935 [23.76]
MR36	36	2.665 [67.70]	2.350 [59.70]	1.446 [36.72]
MR50	50	3.260 [82.80]	2.949 [74.90]	2.041 [51.84]

SPECIFICATIONS:
 Material: Insulator: PBT, glass reinforced, rated UL 94V-0
 Insulator color: Blue
 Contacts: Brass
 Shell: Steel, Nickel plated
 Plating: Gold flush over Nickel underplate on mating area, Tin over Copper underplate on tails

Electrical:
 Operating voltage: 250 VAC max
 Current rating: 1 Amp max
 Contact resistance: 30 mohms max
 Insulation resistance: 500 Mohms min
 Dielectric withstanding voltage: 500 VAC for 1 minute

Temperature Rating:
 Operating temperature: -55°C to +105°C

Environmental:
 Lead free, RoHS compliant
 Recommended soldering temp: 235°C for 5 seconds



ADAM TECH

909 Rahway Avenue, Union, NJ 07083
 Phone: 908-687-5000 Fax: 908-687-5710

MINIATURE RIBBON PLUG, RIGHT ANGLE,
 #4-40 THREADED HOLES, INVERSE FACE

UNLESS OTHERWISE SPECIFIED ALL DIMENSIONS ARE INCHES [MM]		TOLERANCES: EXCEPT AS NOTED	
INCHES		HOLDS	
.X	± .10	ØX	± .10
.XX	± .020	ØXX	± .015
.XXX	± .015	ØXXX	± .010
APPROVALS		DATE	
DRAWN	SS	3/11/08	
CHECKED			
APPROVED			
SIZE	PART NO.	SCALE	SHEET 1 OF 1
X	MRXX-PD-34-F-INV	NTS	