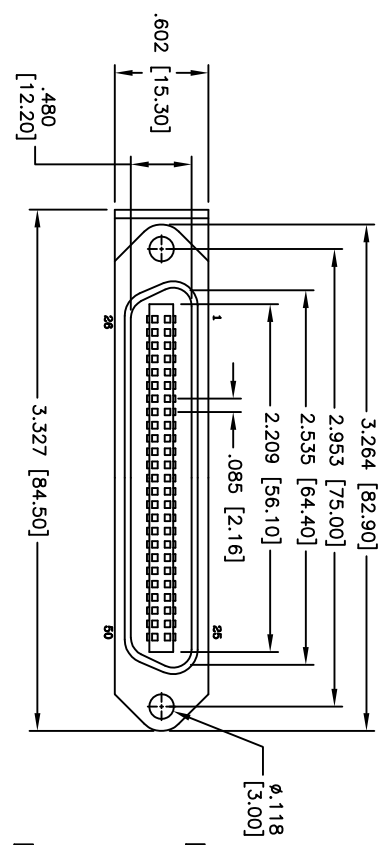
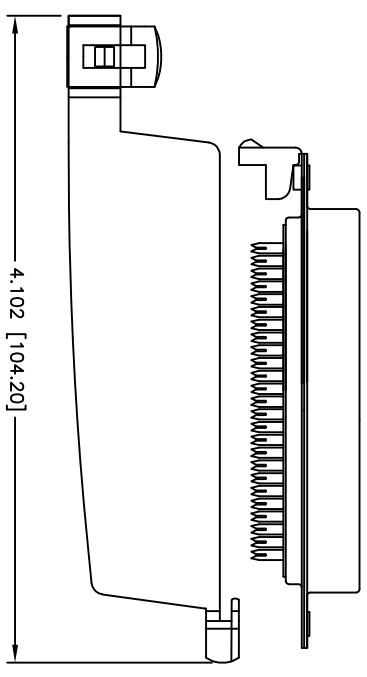
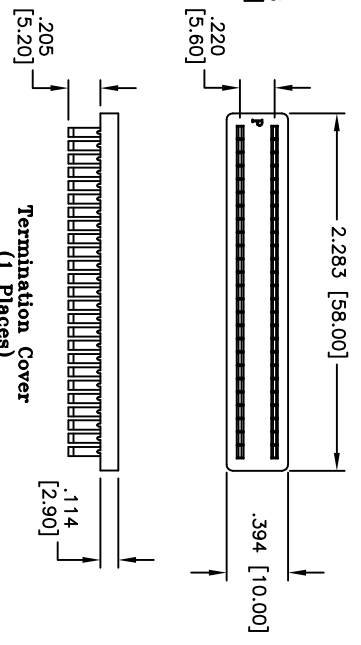


Rev	AWO #	Description	Date	Appr
-		RELEASED	10/29/10	

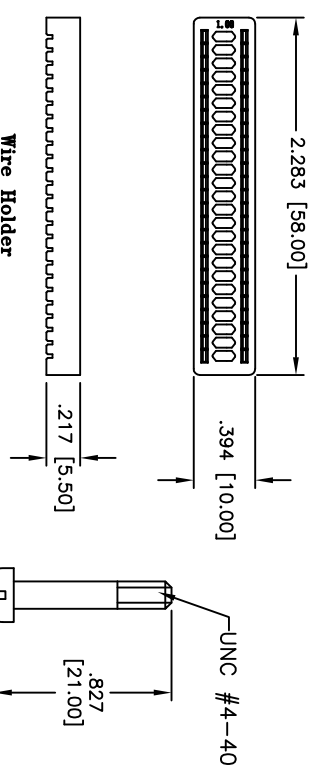
APPROVED: _____
 DATE: _____ TITLE: _____



Termination Cover
(1 Places)



Wire Holder
(1 Places)



SPECIFICATIONS:

- Material: Insulator: PBT, rated UL 94V-0
- Insulator color: Black
- Contacts: Phosphor Bronze
- Front shell: Steel, Nickel plated over Copper
- Screw Locks: Copper Alloy, Nickel plated over Copper
- Plastic Hood: ABS

Plating:
 Gold flash over Nickel underplate on contact area,
 Tin over copper underplate on tails.

Electrical:
 Current rating: 5 Amps
 Contact resistance: 30 mohms max
 Insulation resistance: 1000 Mohms min
 Dielectric withstanding voltage: 500 VAC for 1 minute
 Temperature Rating:
 Operating temperature: -55°C to +105°C



Environmental:
 Lead free, RoHS compliant
 Recommended soldering temp: 235°C for 5 seconds

ADAM TECH

909 Rahway Avenue, Union, NJ 07083
 Phone: 908-687-5000 Fax: 908-687-5710

085 [2.16] RIBBON 50P CALBE PLUG
 CONNECTOR, IDC TYPE

UNLESS OTHERWISE SPECIFIED ALL DIMENSIONS ARE INCHES [MM]	
TOLERANCES: EXCEPT AS NOTED	
INCHES	
.X	± .10
.XX	± .020
.XXX	± .015
.XXX	± .010
APPROVALS	DATE
DRAWN	DY
CHECKED	
APPROVED	

SIZE	PART NO.	REV.
X	MR50-PF-HD-4P	-
REF:	S00105T	
SCALE:	NTS	
SHEET	1	OF 1