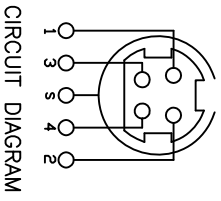
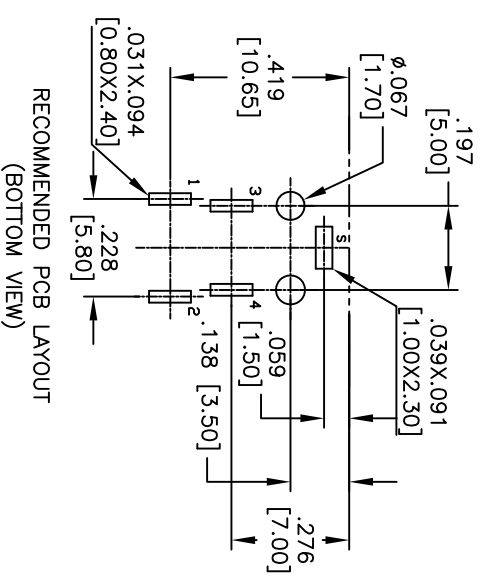
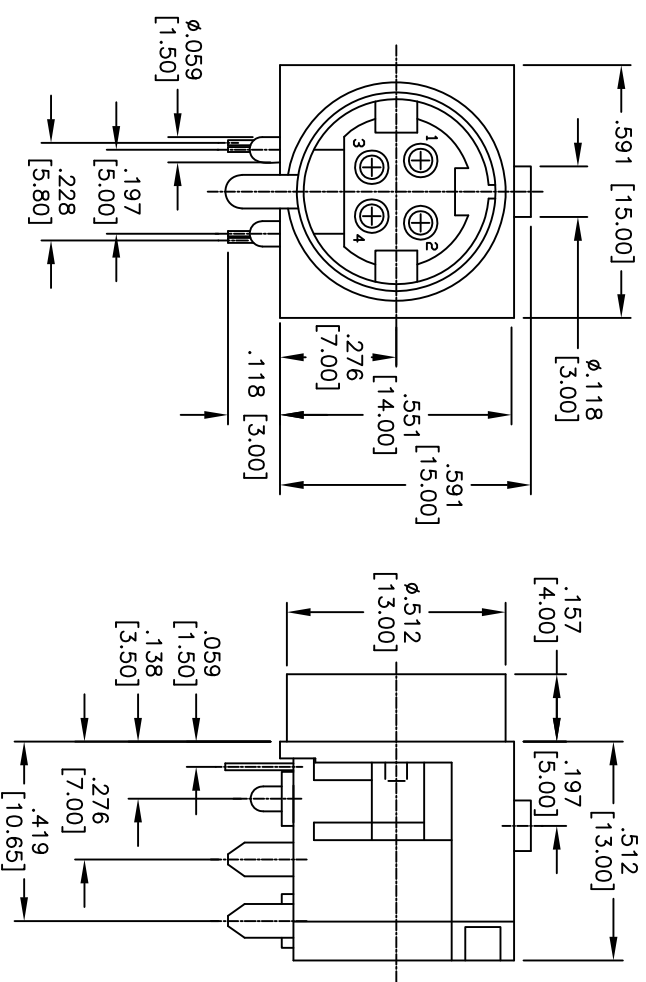


Rev	AWO #	Description	Date	Appr
-		RELEASED	8/27/10	

APPROVED: _____
 DATE: _____ TITLE: _____



SPECIFICATIONS:

- Material: Insulator: PBT, rated UL 94V-0
- Insulator color: Black
- Contacts: Copper Alloy, Silver plated
- Electrical: Operating voltage: DC 20V
- Current rating: 7 Amp max
- Contact resistance: 50 mohms max
- Insulation resistance: 50 Mohms min.
- Dielectric withstanding voltage: 250 VAC for 1 minute
- Temperature Rating: Operating temperature: -40°C to +70°C
- Environmental: Lead free, RoHS compliant.
- Recommended soldering temp: 235° for 5 sec.

UNLESS OTHERWISE SPECIFIED
 ALL DIMENSIONS ARE IN INCHES [MM]
 TOLERANCES: EXCEPT AS NOTED
 INCHES

.X	± .10	ØX	± .10
.XX	± .020	ØXX	± .015
.XXX	± .015	ØXXX	± .010

APPROVALS

DRAWN	DY	DATE	8/27/10
CHECKED			
APPROVED			

ADAM TECH
 909 Rahway Avenue, Union, NJ 07083
 Phone: 908-687-5000 Fax: 908-687-5710

TITLE	MINI DIN JACK, RIGHT ANGLE, PCB
SIZE	PART NO.
X	MPJH-4P
REF: S00025C	SCALE: NTS
SHEET 1 OF 1	REV.