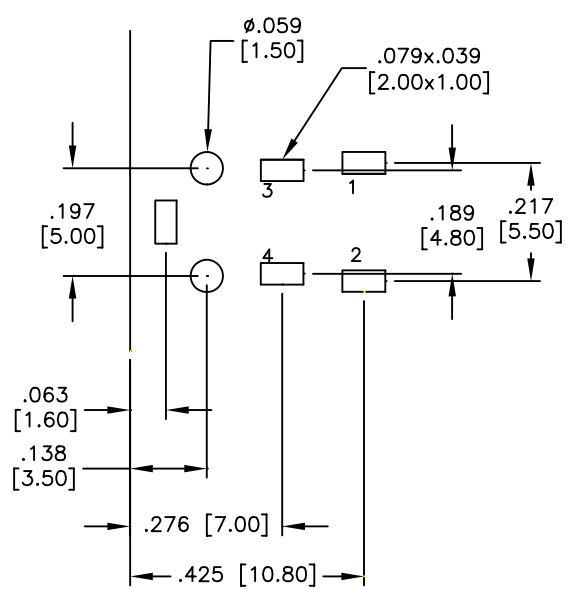
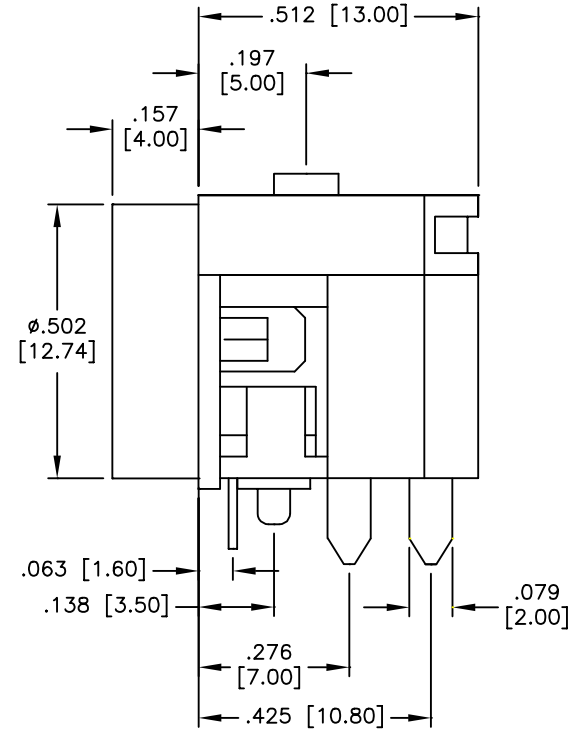
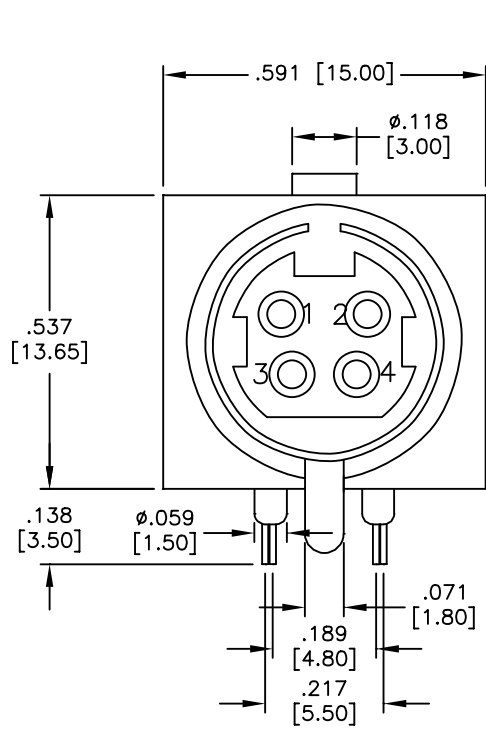


APPROVED: _____
 DATE: _____ TITLE: _____

Rev	AWO #	Description	Date	Apr
-		RELEASED	1/4/05	
A		CHANGED ENGINEERING DESIGN	10/30/08	
B		CORRECT CURRENT RATING	10/14/09	
C		REDRAWN	9/7/10	



RECOMMENDED PCB LAYOUT

SPECIFICATIONS:

Material:
 Insulator: PBT, glass filled, rated UL 94V-0
 Insulator color: Black
 Contacts: Brass
 Plating:
 Silver over Nickel underplate overall
 Electrical:
 Operating voltage: 30 VDC max.
 Current rating: 7.5 Amps max.
 Contact resistance: 30 mohms max. initial
 Insulation resistance: 100 Mohms min.
 Dielectric withstanding voltage: 500 VAC for 1 minute
 Temperature Rating:
 Operating temperature: -25°C to +70°C
 Environmental:
 Lead free, RoHS compliant.
 Recommended soldering temp: 235°C for 5 sec.



UNLESS OTHERWISE SPECIFIED ALL DIMENSIONS ARE INCHES [MM] TOLERANCES: EXCEPT AS NOTED		
INCHES	HOLES	
.X ± .10	ØX ± .10	
.XX ± .020	ØXX ± .015	
.XXX ± .015	ØXXX ± .010	
APPROVALS		DATE
DRAWN	SS	1/4/05
CHECKED		
APPROVED		

ADAM TECH
 909 Rahway Avenue, Union, NJ 07083
 Phone: 908-687-5000 Fax: 908-687-5710

TITLE: **MINI DIN POWER JACK
 ALL POWER CONTACTS**

SIZE X	PART NO. MPJ-4P	REV. C
REF: S00002C	SCALE: NTS	SHEET 1 OF 1