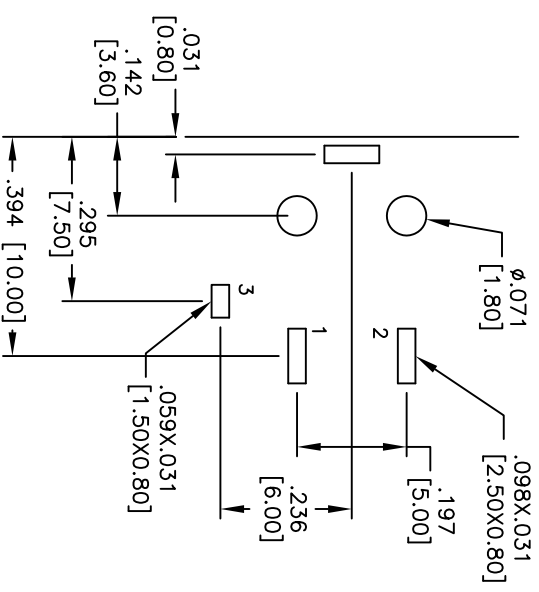
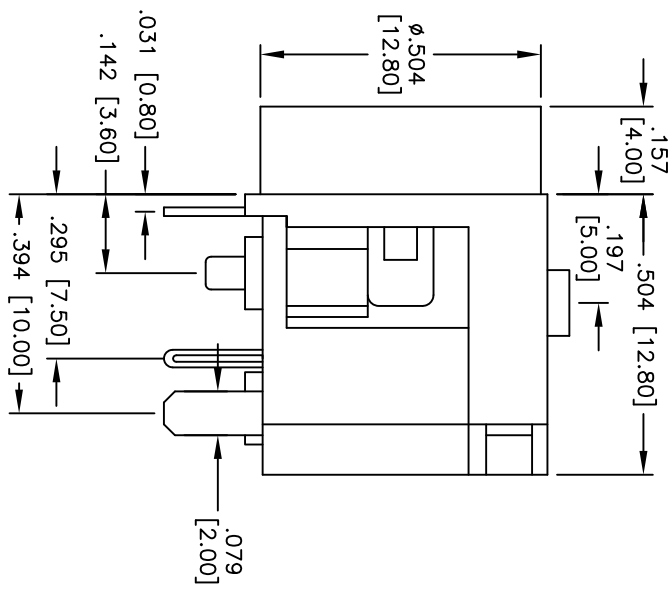
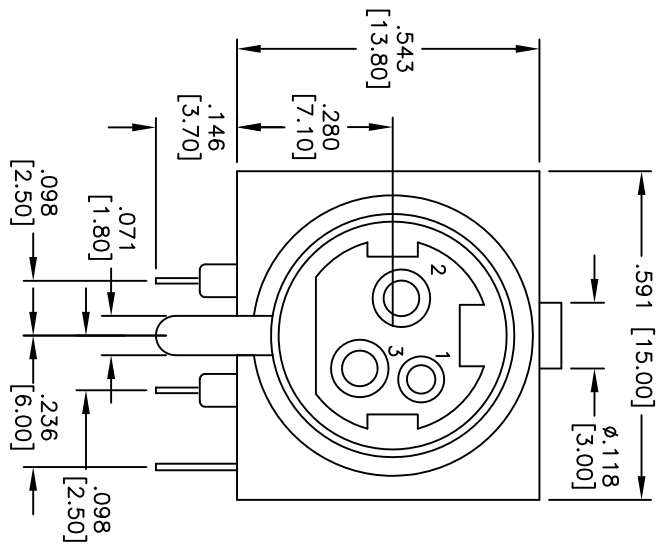


APPROVED: _____
 DATE: _____ TITLE: _____

Rev	AWO #	Description	Date	Appr
-		RELEASED	1/4/05	
A		REDRAWN	10/5/07	
B		CHANGED ENGINEERING DESIGN	10/30/08	
C		REDRAWN	9/7/10	



RECOMMENDED PCB LAYOUT

SPECIFICATIONS:

Material: Insulator: PBT, glass filled, rated UL 94V-0
 Insulator color: Black
 Contacts: Phosphor Bronze
 Plating: Silver over Nickel underplate overall

Electrical: Operating voltage: 50 VDC max.
 Current rating: Power contacts 7.5 Amps.
 Signal contacts 1 Amp.

Temperature Rating: Operating temperature: -25°C to +70°C
 Environmental: Lead free, RoHS compliant.
 Recommended soldering temp: 235°C for 5 sec.



UNLESS OTHERWISE SPECIFIED
 ALL DIMENSIONS ARE INCHES [MM]
 TOLERANCES: EXCEPT AS NOTED

INCHES	HOLES
.X ± .10	± .10
.XX ± .020	± .015
.XXX ± .015	± .010

APPROVALS

DATE	DATE
SS	1/4/05

ADAM TECH
 909 Railway Avenue, Union, NJ 07083
 Phone: 908-687-5000 Fax: 908-687-5710

TITLE: MINI DIN POWER JACK
 2 POWER & 1 SIGNAL CONTACT

SIZE	PART NO.	REV.
X	MPJ-3P	C

REF: S0002C SCALE: NTS SHEET 1 OF 1