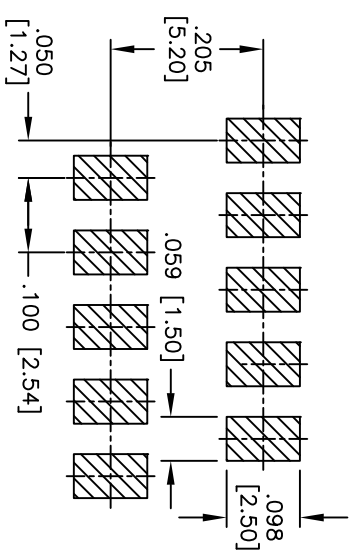
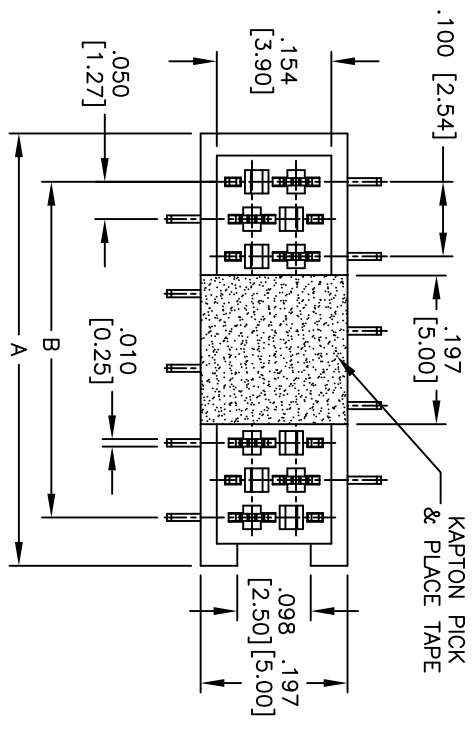
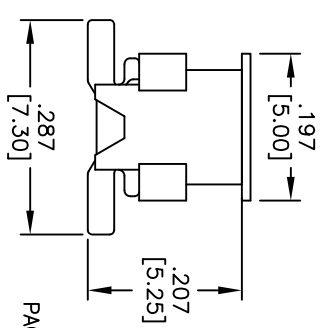
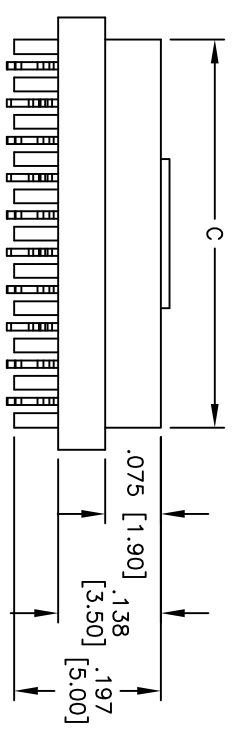


Rev	AWO #	Description	Date	Appr
-		RELEASED	9/14/10	

APPROVED: _____
 DATE: _____ TITLE: _____



RECOMMENDED PCB LAYOUT



PACKAGED ON TAPE & REEL

SPECIFICATIONS:

- Material: Insulator: Hi-temp thermoplastic, rated UL 94V-0
- Insulator color: Red
- Contacts: Phosphor Bronze
- Plating: Tin over Copper underplate overall
- Electrical: Current rating: 1.0 AMP
- Contact resistance: 20 mohms max.
- Insulation resistance: 1,000 Mohms min.
- Dielectric withstanding: 500V AC for 1 minute
- Temperature Rating: Operating temperature: -40°C to +105°C
- Environmental: Lead free, RoHS compliant
- Recommended soldering temp: 260°C for 5 seconds

Positions: 4 thru 20
 A = .050 [1.27] x No. of Positions + .076 [1.92]
 B = .050 [1.27] x No. of Spoces
 C = .050 [1.27] x No. of Positions + .020 [0.52]

UNLESS OTHERWISE SPECIFIED
 ALL DIMENSIONS ARE INCHES [MM]
 TOLERANCES: EXCEPT AS NOTED

INCHES	HILES
.X ± .10	ØXX ± .10
.XX ± .020	ØXXX ± .015
.XXX ± .015	ØXXX ± .010

APPROVALS: _____ DATE: _____

ADAM TECH
 909 Railway Avenue, Union, NJ 07083
 Phone: 908-687-5000 Fax: 908-687-5710

TITLE: .050 [1.27] MICRO MATCH SOCKET, SMT TYPE
 TIN PLATED

DRAWN	AY	9/14/10	SIZE	PART NO.	MPF-A-XX-SMT-1-KT-T/R	REV.
CHECKED	VW	9/14/10	X			
APPROVED			REF:	S00019C	SCALE: NTS	SHEET 1 OF 1

