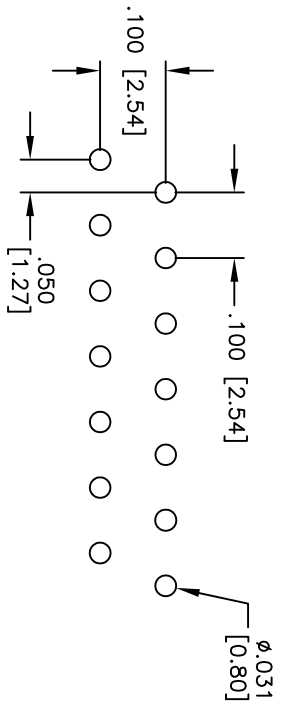
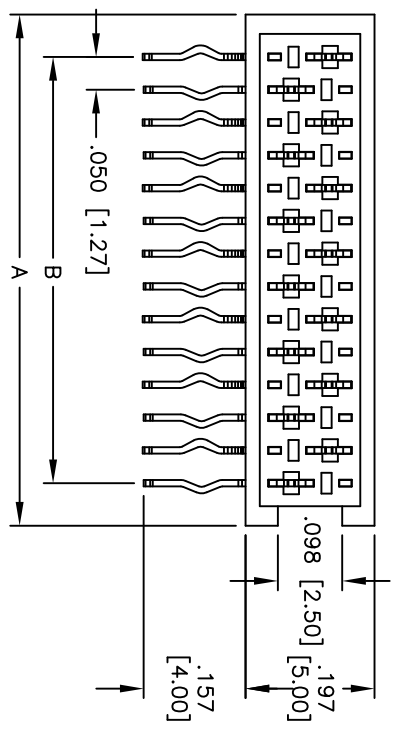
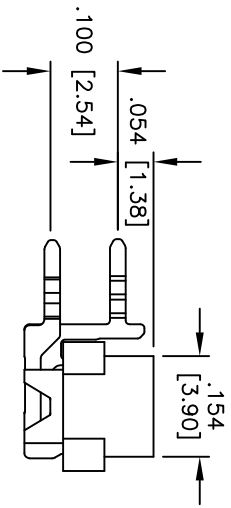
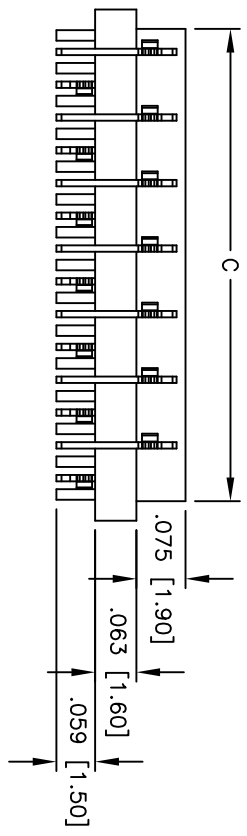


Rev	AWO #	Description	Date	Appr
-		RELEASED	10/27/09	

APPROVED: _____
 DATE: _____ TITLE: _____



RECOMMENDED PCB LAYOUT



SPECIFICATIONS:

Material: Hi-temp thermoplastic, rated UL 94V-0
 Insulator color: Red
 Contacts: Phosphor Bronze
 Plating: Tin over Copper underplate overall

Electrical:
 Current rating: 1A AC/DC
 Voltage rating: 30V AC/DC
 Contact resistance: 20 mohms max.
 Insulation resistance: 1,000 Mohms min.
 Dielectric withstanding: 500V AC for 1 minute
 Temperature Rating: Operating temperature: -40°C to +105°C
 Environmental:
 Lead free, RoHS compliant
 Recommended soldering temp: 260°C for 5 seconds



Positions: 4 thru 26
 A = .050 [1.27] x No. of Positions + .076 [1.92]
 B = .050 [1.27] x No. of Spaces
 C = .050 [1.27] x No. of Positions + .020 [0.52]

UNLESS OTHERWISE SPECIFIED
 ALL DIMENSIONS ARE INCHES [MM]
 TOLERANCES: EXCEPT AS NOTED
 INCHES HOLE SIZE
 .X ± .10 ØXX ± .10
 .XX ± .020 ØXXX ± .015
 .XXX ± .015 ØXXXX ± .010

ADAM TECH

909 Railway Avenue, Union, NJ 07083
 Phone: 908-687-5000 Fax: 908-687-5710

.050 [1.27] MICRO MATCH SOCKET,
 RIGHT ANGLE, TIN PLATED

APPROVALS	DATE
DRAWN	10/27/09
CHECKED	
APPROVED	

SIZE	PART NO.	REV.
X	MPF-AXX-H-T	-
REF:	S00056T	SHEET 1 OF 1