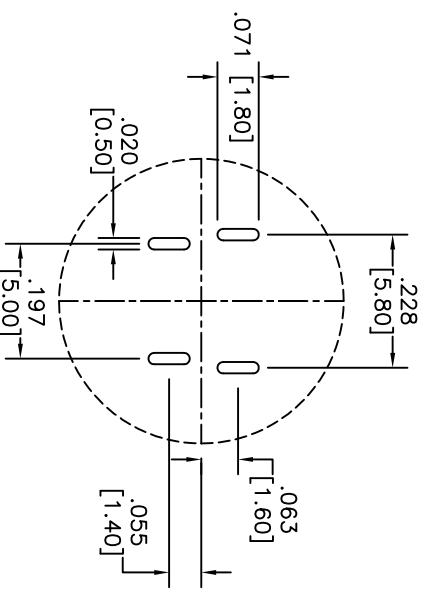
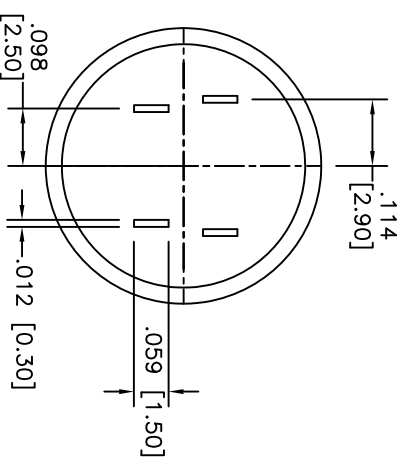
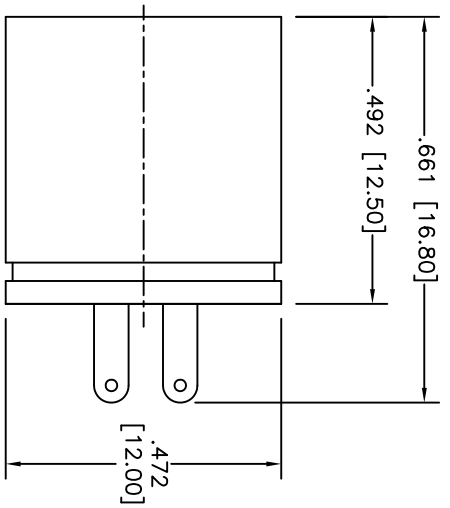
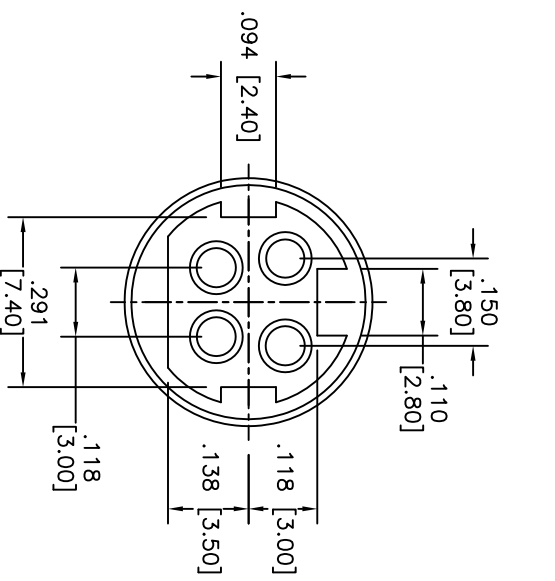


Rev	AWO #	Description	Date	Appr
-		RELEASED	9/13/10	

APPROVED: _____
 DATE: _____ TITLE: _____



RECOMMENDED PCB LAYOUT

SPECIFICATIONS:

Material:
 Housing: PBT, UL94V-0, color Black
 Contact: Copper Alloy, Tin plated
 Shell: Copper Alloy, Nickel plated
Environmental:
 Lead free, RoHS Compliant



UNLESS OTHERWISE SPECIFIED ALL DIMENSIONS ARE IN INCHES [MM]	
TOLERANCES: EXCEPT AS NOTED	
INCHES	HOLDS
.X ± .10	ØX ± .10
.XX ± .020	ØXX ± .015
.XXX ± .015	ØXXX ± .010
APPROVALS	DATE
DRAWN	DY
CHECKED	
APPROVED	

ADAM TECH
 909 Rahway Avenue, Union, NJ 07083
 Phone: 908-687-5000 Fax: 908-687-5710

TITLE	MINI DIN POWER, 4P, FEMALE
SIZE	PART NO.
X	MP-F-4P-D
REF: S00067T	SCALE: NTS
SHEET 1 OF 1	REV.

6 5 4 3 2 1