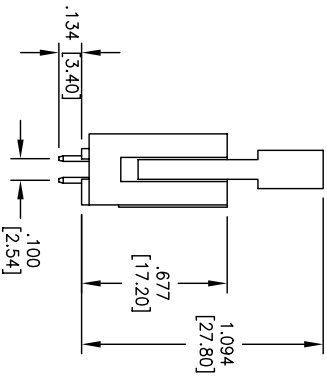
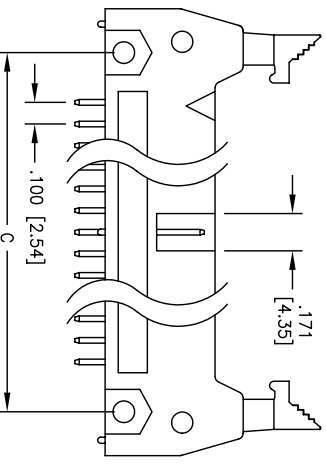
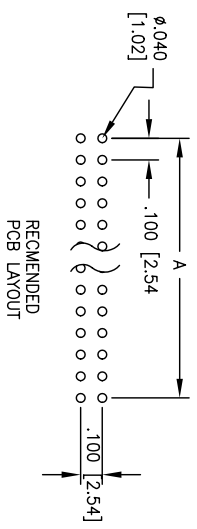
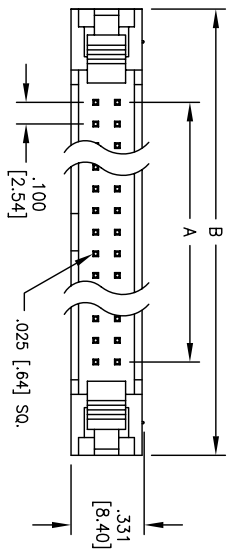


Rev	AWO #	Description	Date	Appr
-		RELEASED	11/18/04	

APPROVED: _____ TITLE: _____
 DATE: _____



POSITION	A	B	C
10	.400 [10.16]	1.26 [32.00]	.860 [21.84]
14	.600 [15.24]	1.46 [37.08]	1.060 [26.92]
16	.700 [17.78]	1.56 [39.62]	1.160 [29.46]
20	.900 [22.86]	1.76 [44.70]	1.360 [34.54]
24	1.100 [27.94]	1.96 [49.78]	1.560 [39.62]
26	1.200 [30.48]	2.06 [52.32]	1.660 [42.16]
30	1.400 [35.56]	2.26 [57.40]	1.860 [47.24]
34	1.600 [40.64]	2.46 [62.48]	2.060 [52.32]
40	1.900 [48.26]	2.76 [70.10]	2.360 [59.94]
50	2.400 [60.96]	3.26 [82.80]	2.860 [72.64]
60	2.900 [73.66]	3.76 [95.50]	3.360 [85.34]
64	3.100 [78.74]	3.96 [100.58]	3.560 [90.42]

SPECIFICATIONS:

Material: Insulator: PBT, glass reinforced, rated UL 94V-0
 Insulator color: Black
 Contacts: Brass
 Plating: 30u" Gold over Nickel underplate overall
 Electrical: Operating voltage: 250 VAC max
 Current rating: 3 Amps max
 Contact resistance: 20 mohms max
 Insulation resistance: 5000 Mohms min @ 500 VDC
 Dielectric withstanding voltage: 1000 VAC for 1 minute
 Temperature Rating: Operating temperature: -55°C to +105°C

UNLESS OTHERWISE SPECIFIED
 ALL DIMENSIONS ARE INCHES [MM]
 TOLERANCES: EXCEPT AS NOTED
 INCHES HOLES
 .X ± .10 Ø.X ± .10
 .XX ± .020 Ø.XXX ± .015
 .XXX ± .015 Ø.XXXX ± .010

ADAM TECH

909 Rahway Avenue, Union, NJ 07083
 Phone: 908-687-5000 Fax: 908-687-5710

TITLE: LATCHING HEADER, .100 [2.54] LONG
 LATCHES, STRAIGHT PCB, 30u" GOLD

DRAWN	SS	11/18/04	SIZE	PART NO.	REV.
CHECKED			X	MHR-XX-VUAL-30	
APPROVED			REF:	SCALE: NTS	SHEET 1 OF 1