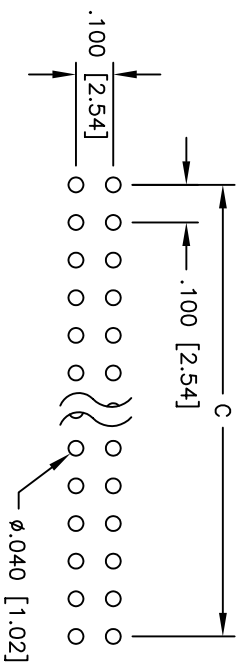
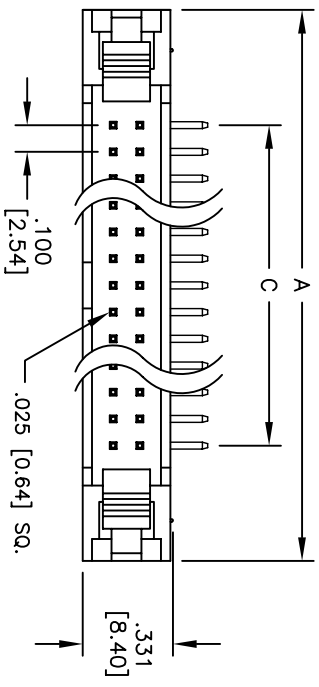
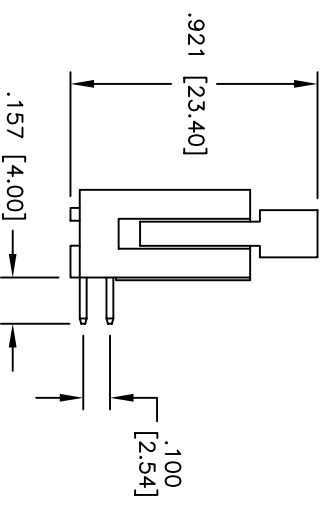
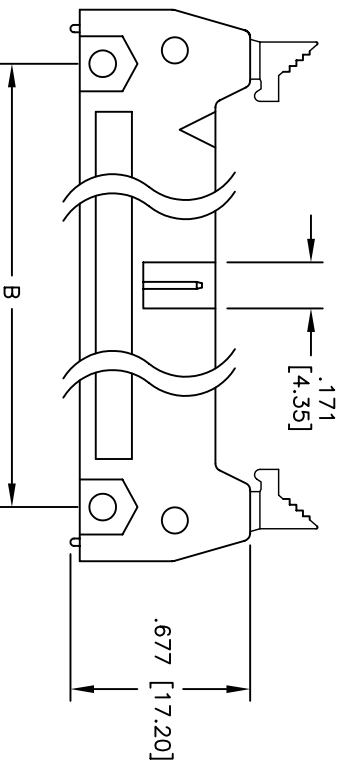


Rev	AWO #	Description	Date	Appr
-		RELEASED	3/29/05	

APPROVED: _____
 DATE: _____ TITLE: _____



PCB LAYOUT



SPECIFICATIONS:

Material:
 Insulator: Nylon 6T, rated UL 94V-0
 Insulator color: Black
 Contacts: Brass
 Plating:
 Gold flash over Nickel underplate overall

Electrical:
 Operating voltage: 250 VAC max
 Current rating: 3 Amps max
 Contact resistance: 20 mohms max
 Insulation resistance: 5,000 Mohms min @ 500 VDC
 Dielectric withstanding voltage: 1,000 VAC for 1 minute
 Temperature Rating:
 Operating temperature: -55°C to +105°C



Environmental:
 Lead free, RoHS compliant
 Recommended soldering temp: 260°C for 5 seconds

Positions: 10, 14, 16, 20, 24, 26, 30, 34, 40, 50, 60, 64
 A = .100 [2.54] x No. of Spaces + .860 [21.84]
 B = .100 [2.54] x No. of Spaces + .460 [11.68]
 C = .100 [2.54] x No. of Spaces

UNLESS OTHERWISE SPECIFIED
 ALL DIMENSIONS ARE INCHES [MM]
 TOLERANCES: EXCEPT AS NOTED

INCHES	MM
X ± .10	ØXX ±.10
.XX ± .020	ØXX ±.015
.XXX ± .015	ØXXX ±.010

ADAM TECH
 909 Rahway Avenue, Union, NJ 07083
 Phone: 908-687-5000 Fax: 908-687-5710

TITLE: LATCHED BOX HEADER, RIGHT ANGLE,
 SHORT EJECTOR LATCHES, HI-TEMP

APPROVALS	DATE
DRAWN SS	3/29/05
CHECKED	
APPROVED	

SIZE	PART NO.	REV.
X	MHR-XX-HUAS-HT	-

SCALE: NTS SHEET 1 OF 2