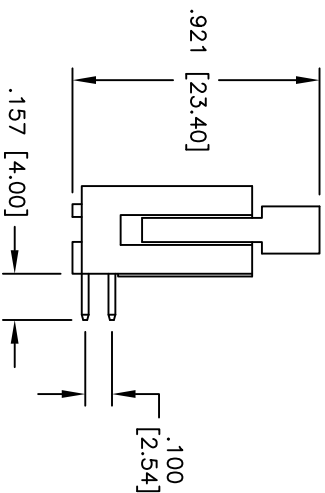
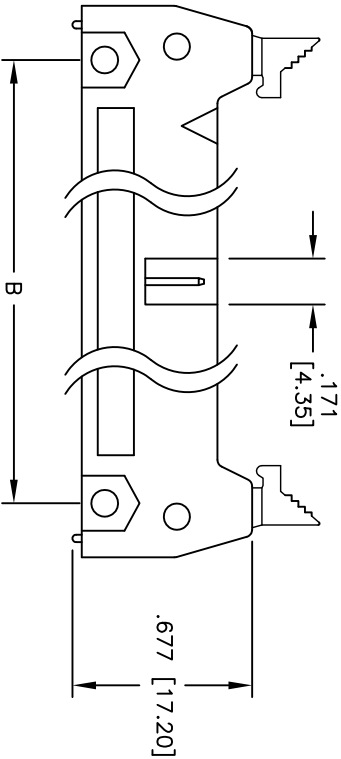
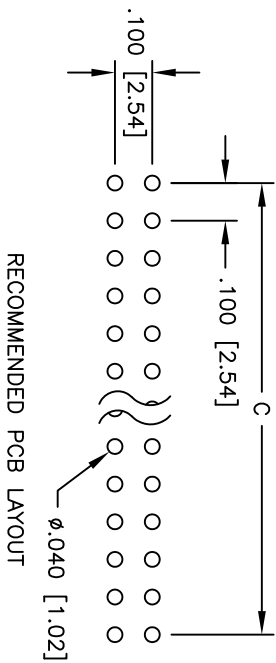
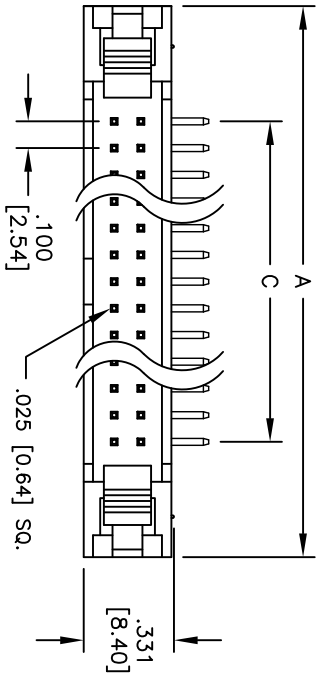


Rev	AWO #	Description	Date	Appr
-		RELEASED	5/31/10	

APPROVED: \_\_\_\_\_  
 DATE: \_\_\_\_\_ TITLE: \_\_\_\_\_



**SPECIFICATIONS:**

Material:  
 Insulator: PBT, rated UL 94V-0  
 Insulator color: Black  
 Contacts: Brass  
 Plating:  
 30U" Gold over Nickel underplate on contact area,  
 Tin over Copper underplate on solder tails

Electrical:  
 Operating voltage: 250 VAC max  
 Current rating: 3 Amps max  
 Contact resistance: 20 mohms max @ 500 VDC  
 Insulation resistance: 5,000 Mohms min @ 500 VDC  
 Dielectric withstanding voltage: 1,000 VAC for 1 minute  
 Temperature Rating:  
 Operating temperature: -55°C to +105°C  
 Environmental:  
 Lead free, RoHS compliant  
 Recommended soldering temp: 235°C for 5 seconds

Positions: 10, 14, 16, 20, 24, 26, 30, 34, 40, 50, 60, 64  
 A = .100 [2.54] x No. of Spaces + .860 [21.84]  
 B = .100 [2.54] x No. of Spaces + .460 [11.68]  
 C = .100 [2.54] x No. of Spaces

**ADAM TECH**

909 Railway Avenue, Union, NJ 07083  
 Phone: 908-687-5000 Fax: 908-687-5710

LATCHED BOX HEADER, RIGHT ANGLE,  
 SHORT EJECTOR LATCHES, 30U" SEL GOLD

UNLESS OTHERWISE SPECIFIED ALL DIMENSIONS ARE INCHES [MM] TOLERANCES: EXCEPT AS NOTED		TITLE	
INCHES	HOLES	LATCHED BOX HEADER, RIGHT ANGLE, SHORT EJECTOR LATCHES, 30U" SEL GOLD	
.X ± .10	ØXX ± .10	SIZE	PART NO.
.XX ± .020	ØXXX ± .015	X	MHR-XX-HSGAS-30
.XXX ± .015	ØXXXX ± .010	REF:	SCALE: NTS
APPROVALS	DATE	SHEET	1 OF 1
DRAWN	DY	5/31/10	REV.
CHECKED			
APPROVED			

