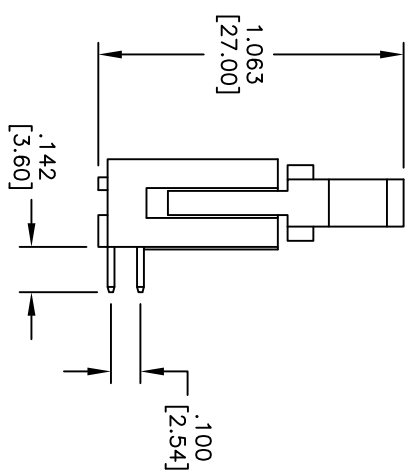
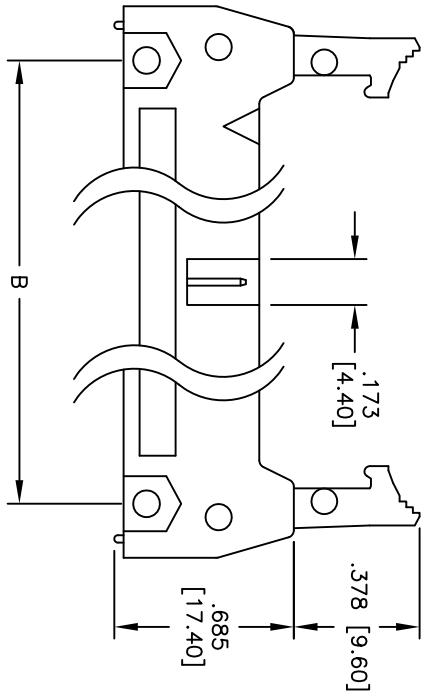
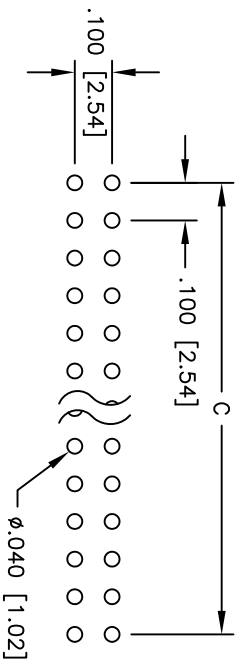
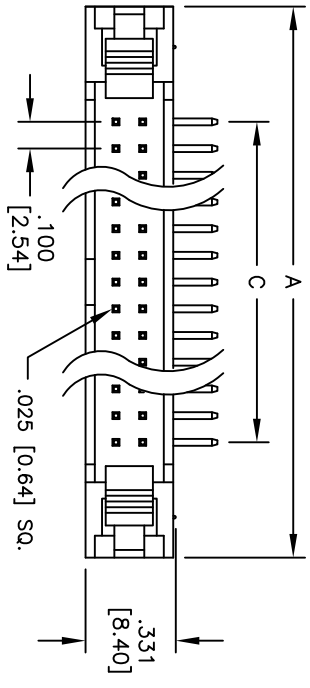


Rev	AWO #	Description	Date	Appr
-		RELEASED	1/26/11	

APPROVED: \_\_\_\_\_  
 DATE: \_\_\_\_\_ TITLE: \_\_\_\_\_



**SPECIFICATIONS:**

Material:

Insulator: Nylon 6T, rated UL 94V-0

Insulator color: Black

Contacts: Brass

Plating:

15u" Gold flash over Nickel underplate on contact area, Ton over copper underplate on solder tails

Electrical:

Operating voltage: 250 VAC max

Current rating: 3 Amps max

Contact resistance: 20 mohms max

Insulation resistance: 5,000 Mohms min @ 500 VDC

Dielectric withstanding voltage: 1,000 VAC for 1 minute

Temperature Rating:

Operating temperature: -55°C to +105°C

Environmental:

Lead free, RoHS compliant

Recommended soldering temp: 260°C for 5 seconds

Positions: 10, 14, 16, 20, 24, 26, 30, 34, 40, 50, 60, 64  
 A = .100 [2.54] x No. of Spaces + .860 [21.84]  
 B = .100 [2.54] x No. of Spaces + .460 [11.68]  
 C = .100 [2.54] x No. of Spaces

UNLESS OTHERWISE SPECIFIED  
 ALL DIMENSIONS ARE INCHES [MM]  
 TOLERANCES: EXCEPT AS NOTED

INCHES	HOLES
.X ± .10	ØXX ± .10
.XX ± .020	ØXXX ± .015
.XXX ± .015	ØXXXX ± .010

APPROVALS

APPROVALS	DATE
DRAWN AY	1/26/11
CHECKED JL	1/26/11
APPROVED	

**ADAM TECH**  
 909 Railway Avenue, Union, NJ 07083  
 Phone: 908-687-5000 Fax: 908-687-5710

TITLE: LATCHED BOX HEADER, RIGHT ANGLE, LONG EJECTOR LATCHES, THRU HOLE

SIZE	PART NO.	REV.
X	MHR-XX-HSGAL-15	.

REF.	SCALE:	INTS	SHEET	1 OF 2
S00089T			1	2

