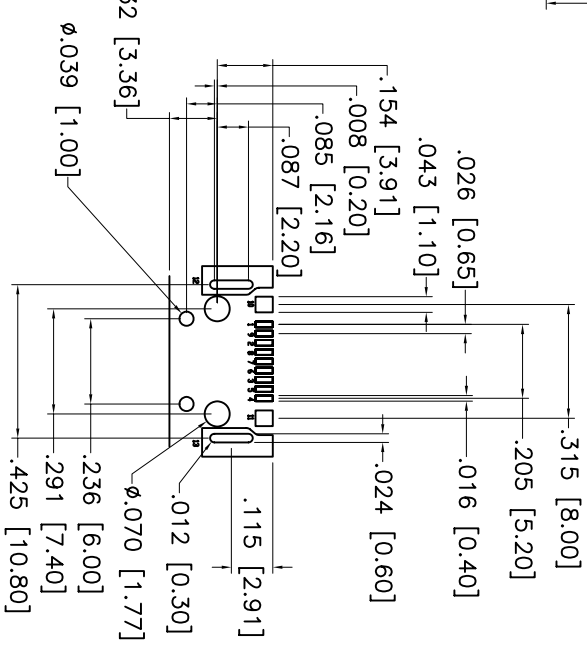
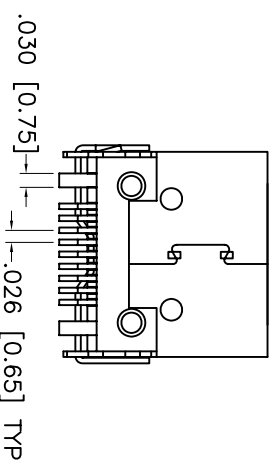
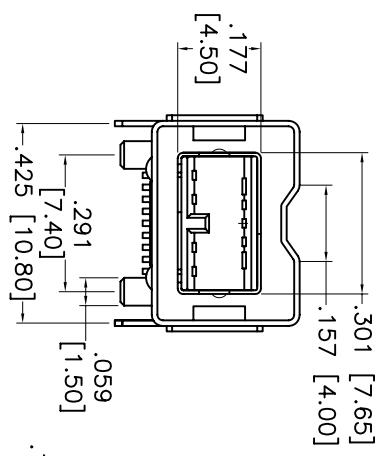
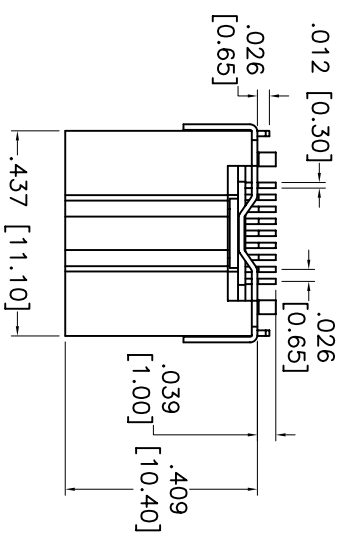


APPROVED: _____
 DATE: _____ TITLE: _____

Rev	AWO #	Description	Date	Appr
-		RELEASED	5/5/04	
A		REDRAWN	7/10/08	



Recommended PCB Layout

SPECIFICATIONS:

Material:
 Insulator: Hi Temperature Polyester, rated UL 94V-0
 Insulator color: Black
 Contacts: Copper Alloy
 Shell: Copper Alloy, Nickel plated
Plating:
 .075 microns Gold over 1.27 microns Nickel underplate overall

Electrical:
 Operating voltage: 30 VAC max
 Current rating: 1.5 Amps max
 Contact resistance: 50 mohms max
 Insulation resistance: 100 Mohms min
 Dielectric withstanding voltage: 100 VAC for 1 minute
Temperature Rating:
 Operating temperature: -40C to +85C

Environmental:
 Lead free, RoHS compliant.
 Recommended soldering temp: 260°C for 5 sec.



UNLESS OTHERWISE SPECIFIED ALL DIMENSIONS ARE MILLIMETERS	
TOLERANCES: EXCEPT AS NOTED	
MILLIMETERS	HOLES
.X ± 0.30	Ø.X ± .10
.XX ± 0.15	Ø.XXX ± .015
.XXX ± 0.15	Ø.XXX ± .010
APPROVALS	DATE
DRAWN	SS
CHECKED	5/5/04
APPROVED	

ADAM TECH
 909 Rahway Avenue, Union, NJ 07083
 Phone: 908-687-5000 Fax: 908-687-5710

TITLE	IEEE 1394b MINI FIRE WIRE CONNECTOR, 9 PIN BILINGUAL, SURFACE MOUNT, ALIGNED PEGS
SIZE	PART NO.
X	MFW-D-S-RA-SMT-2A
REF:	SCALE: NTS
	SHEET 1 OF 1