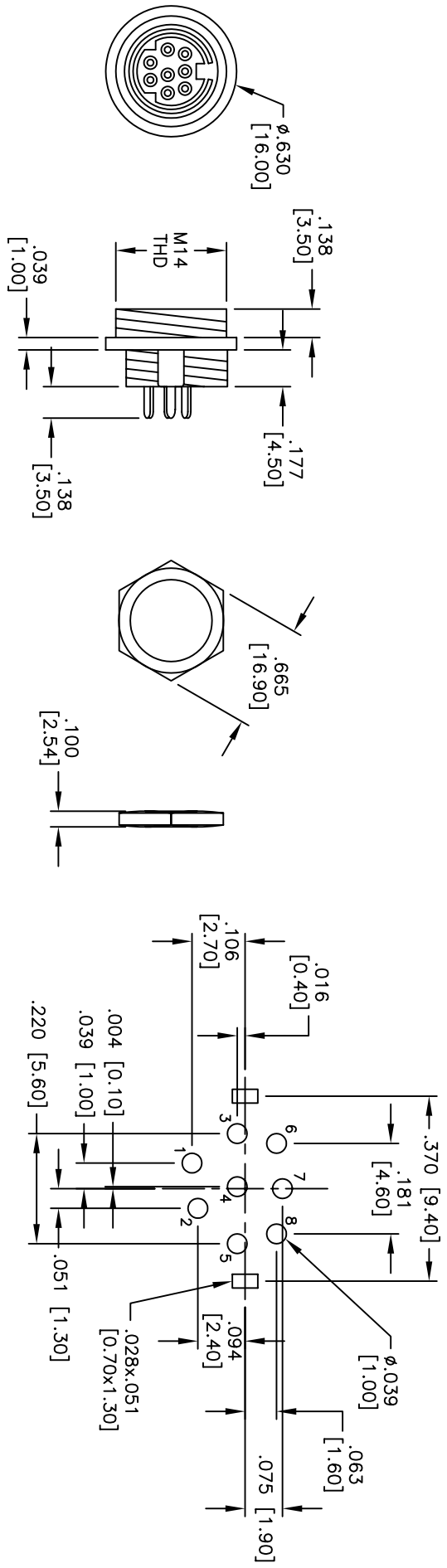


| Rev | AWO # | Description | Date     | Appr |
|-----|-------|-------------|----------|------|
| -   |       | RELEASED    | 12/30/04 |      |

APPROVED: \_\_\_\_\_  
 DATE: \_\_\_\_\_ TITLE: \_\_\_\_\_



| MATING FACE CONFIGURATIONS |           |           |           |           |           |
|----------------------------|-----------|-----------|-----------|-----------|-----------|
| MDV-003-B                  | MDV-004-B | MDV-005-B | MDV-006-B | MDV-007-B | MDV-008-B |
|                            |           |           |           |           |           |

**SPECIFICATIONS:**  
 Material: Insulator: PBT, glass filled, rated UL 94V-0  
 Insulator color: Black  
 Contacts: Phosphor Bronze  
 Shield: Copper Alloy, Tin plated  
 Plating: Gold over Nickel underplate on contact area, Tin over Copper underplate on tails  
 Electrical: Operating voltage: 100 VAC/12 VDC max.  
 Current rating: 1 Amp max./2 Amps max.  
 Contact resistance: 20 Mohms max. initial  
 Insulation resistance: 500 Mohms min.  
 Dielectric withstanding voltage: 500 VAC for 1 minute  
 Temperature Rating: Operating temperature: -25°C to +70°C  
 Environmental: Lead free, RoHS compliant.  
 Recommended soldering temp: 230 for 5 sec.

|   |        |          |        |   |  |
|---|--------|----------|--------|---|--|
| UNLESS OTHERWISE SPECIFIED<br>ALL DIMENSIONS ARE INCHES [MM]<br>TOLERANCES: EXCEPT AS NOTED |        | INCHES   |        | HOLDS   |  |
| .X  | ± .10  | ØXX      | ± .10  |   |  |
| .XX   | ± .020 | ØXXX     | ± .015 |   |  |
| .XXX  | ± .015 | ØXXXX    | ± .010 |   |  |
| APPROVALS   |        | DATE     |        | TITLE   |  |
| DRAWN   | SS     | 12/30/04 |        | MINI DIN JACK, VERTICAL,<br>THREADED OUTER SHELL W/MOUNTING NUT |  |
| CHECKED   |        |          |        | PART NO. MDV-00X-B  |  |
| APPROVED  |        |          |        | SCALE: NTS SHEET 1 OF 1   |  |

**ADAM TECH**  
 909 Rahway Avenue, Union, NJ 07083  
 Phone: 908-687-5000 Fax: 908-687-5710

