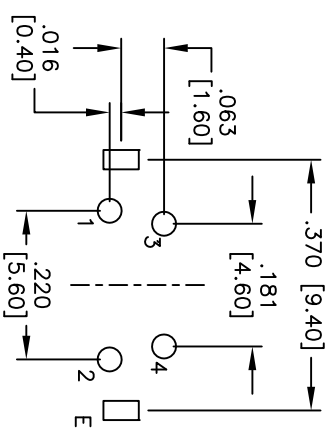
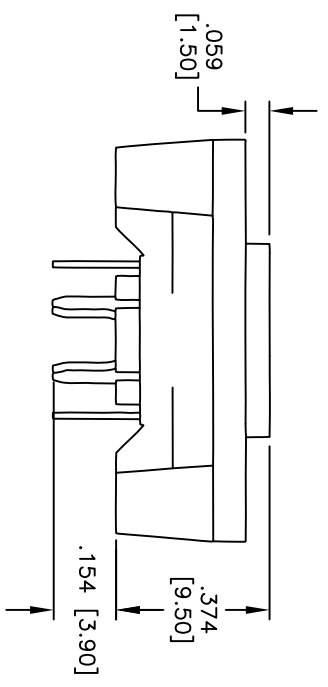
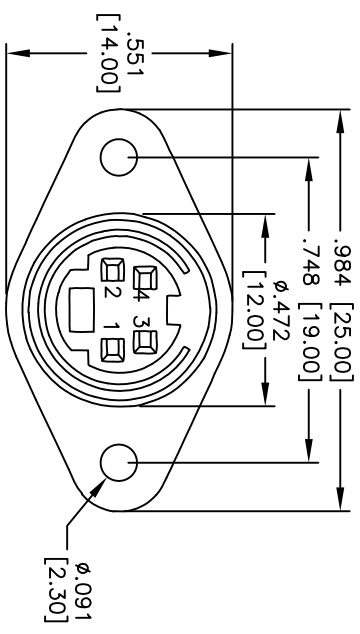


Rev	AWO #	Description	Date	Appr
-		RELEASED	11/22/10	

APPROVED: _____
 DATE: _____ TITLE: _____



RECOMMENDED PCB LAYOUT
(BOTTOM VIEW)

SPECIFICATIONS:

Material:
 Insulator: PBT, glass filled, rated UL 94V-0
 Insulator color: Black
 Contacts: Phosphor Bronze
 Earth terminal: Brass, Tin plated
 Plating:
 Silver over Copper underplate overall.

Electrical:
 Current carrying capacity:
 AC: 100V 1A Max.
 DC: 12V 2A Max.

Contact resistance: 30 mohms max.
 Insulation resistance: 50 Mohms min. @ DC 250V
 Voltage with stance: AC 250V for 1 minute
 Temperature Rating:
 Operating temperature: -25°C to +70°C

Environmental:
 Lead free, RoHS Compliant
 Recommended soldering temp: 235°C for 5 seconds

UNLESS OTHERWISE SPECIFIED ALL DIMENSIONS ARE INCHES [MM]	
TOLERANCES: EXCEPT AS NOTED	
INCHES	HOLES
.X ± .10	Ø.X ± .10
.XX ± .020	Ø.XX ± .015
.XXX ± .015	Ø.XXX ± .010
APPROVALS	DATE
DRAWN	DY
CHECKED	
APPROVED	

ADAM TECH
 909 Rahway Avenue, Union, NJ 07083
 Phone: 908-687-5000 Fax: 908-687-5710

TITLE	MINI DIN JACK, VERTICAL, FLANGES WITH MOUNTING HOLES
SIZE	MDV-004-E-C1
PART NO.	
REF: S00074T	SCALE: NTS
SHEET 1 OF 1	REV.