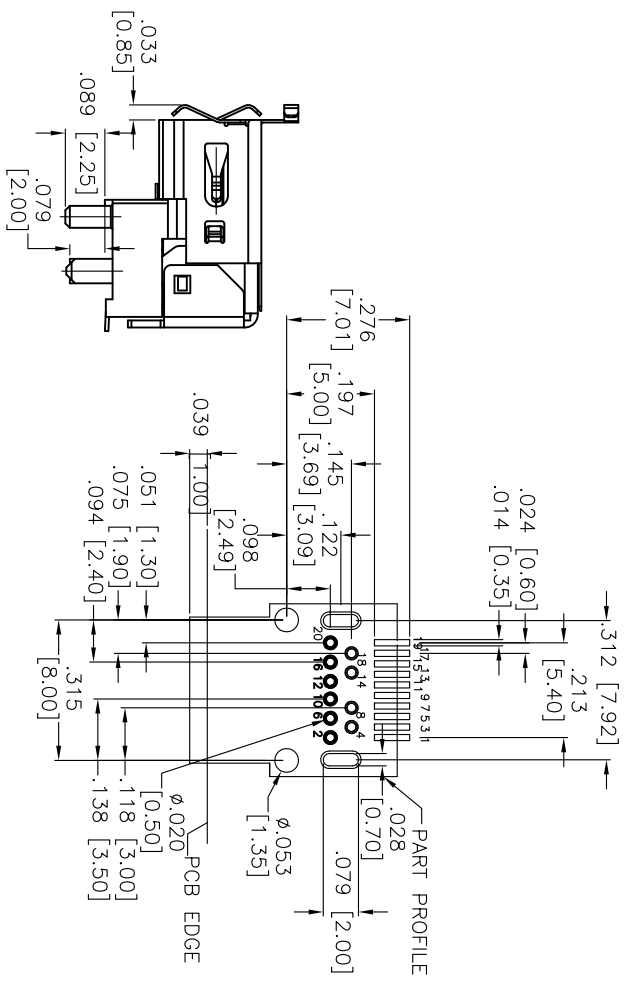
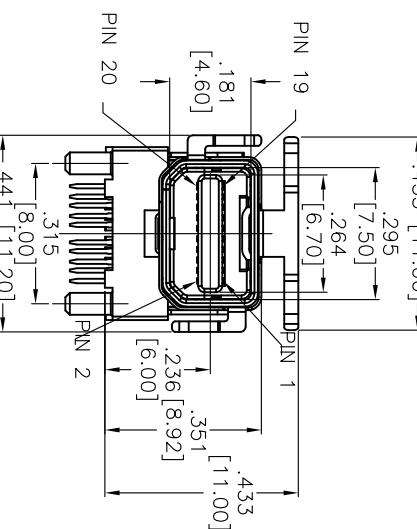
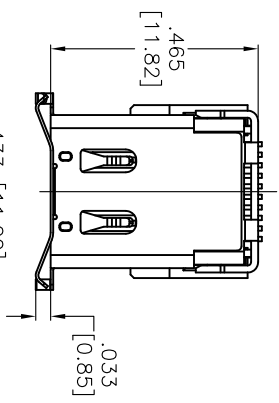
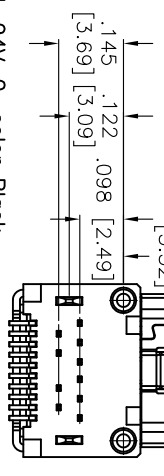


Rev	AWO #	Description	Date	Appr
-		RELEASED	12/18/09	

APPROVED: _____ TITLE: _____
 DATE: _____



RECOMMENDED PCB LAYOUT
 COMPONENT SIDE



SPECIFICATIONS:

- Material: Housing: LCP, rated UL 94V-0, color Black
- Contact: Copper Alloy
- Shell: Copper Alloy, Nickel plated
- Shield: Copper Alloy
- Plating:

Gold flash over Nickel underplate on contact area,
 Tin over Copper underplate on solder tails.

- Electrical:
- Current rating: 0.5 Amps min
- Withstanding Voltage: 500V AC for 1 minute
- Insulation Resistance: 100M ohms min.
- Contact Resistance: 30 ohms max.

- Mechanical:
- Terminal Retention Force: 0.2Kgf Min.
- Temperature Rating:
- Operating temperature: -25°C to +85°C
- Environment:
- Lead free, RoHS compliant.
- Recommended soldering temp: 260°C for 5 sec.



UNLESS OTHERWISE SPECIFIED
 ALL DIMENSIONS ARE IN MM
 TOLERANCES: EXCEPT AS NOTED

INCHES	HOLES
X ± .10	ØXX ± .10
.XX ± .020	ØXX ± .015
.XXX ± .015	ØXXX ± .010

APPROVALS

DATE	
APPROVED	

ADAM TECH
 909 Rahway Avenue, Union, NJ 07083
 Phone: 908-687-5000 Fax: 908-687-5710

TITLE: MINI DISPLAYPORT RECEPTACLE, R/A,
 DIP / SMT TYPE, WITH SHIELD

DRAWN	DY	12/18/09	SIZE	PART NO.	MIDPC-S-RAPGA	REV.
CHECKED			X			-
APPROVED			REF:	S00015C	SCALE: NTS	SHEET 1 OF 1