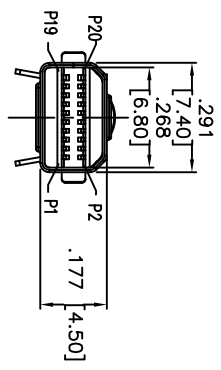
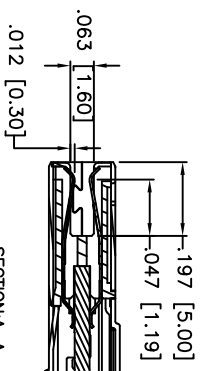
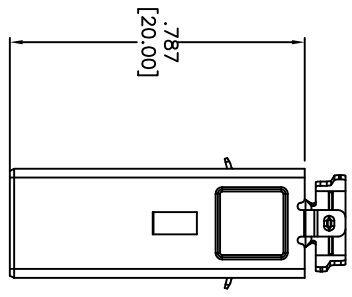
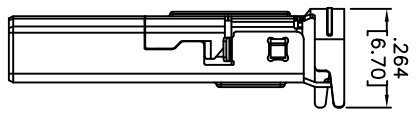
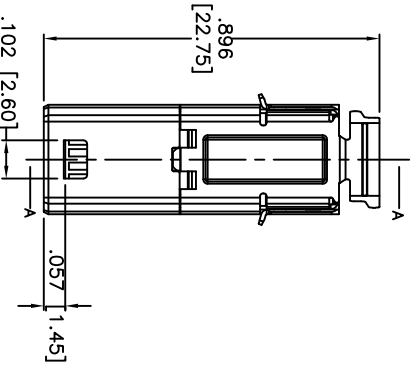
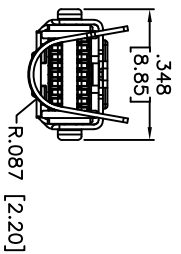


Rev	AWO #	Description	Date	Appr
-		RELEASED	7/23/09	

APPROVED: _____
 DATE: _____ TITLE: _____



SPECIFICATIONS:

Material: LCP, rated UL 94V-0,, Black
 Housing: Copper Alloy
 Contact: Brass, nickel plated
 Plating: 15u" Gold over Nickel underplate overall

Electrical:
 Operating voltage: 40 VAC
 Current rating: 0.5 Amps min
 Withstanding Voltage: 500V AC for 1 minute
 Insulation Resistance: 100M ohms min.
 Contact Resistance: 30 ohms max.

Mechanical:
 Terminal Retention Force: 0.2Kgf Min.
 Temperature Rating:
 Operating temperature: -25°C to +85°C
 Environmental:
 Lead free, RoHS compliant.
 Recommended soldering temp: 260°C for 5 sec.



UNLESS OTHERWISE SPECIFIED
 ALL DIMENSIONS ARE IN INCHES [MM]
 TOLERANCES: EXCEPT AS NOTED
 INCHES Holes ±.10
 .X ±.10 ØX ±.10
 .XX ±.020 ØXX ±.015
 .XXX ±.015 ØXXX ±.010

APPROVALS	DATE
DRAWN DY	7/23/09
CHECKED	
APPROVED	

ADAM TECH
 909 Rahway Avenue, Union, NJ 07083
 Phone: 908-687-5000 Fax: 908-687-5710

TITLE	MINI DISPLAY PORT PLUG, 20PIN, GOLD PLATED		
SIZE	PART NO.	REV.	
X	MDPC-PLUG	-	
REF:	S000150	SCALE:	NIS
		SHEET	1 OF 1