

6

5

4

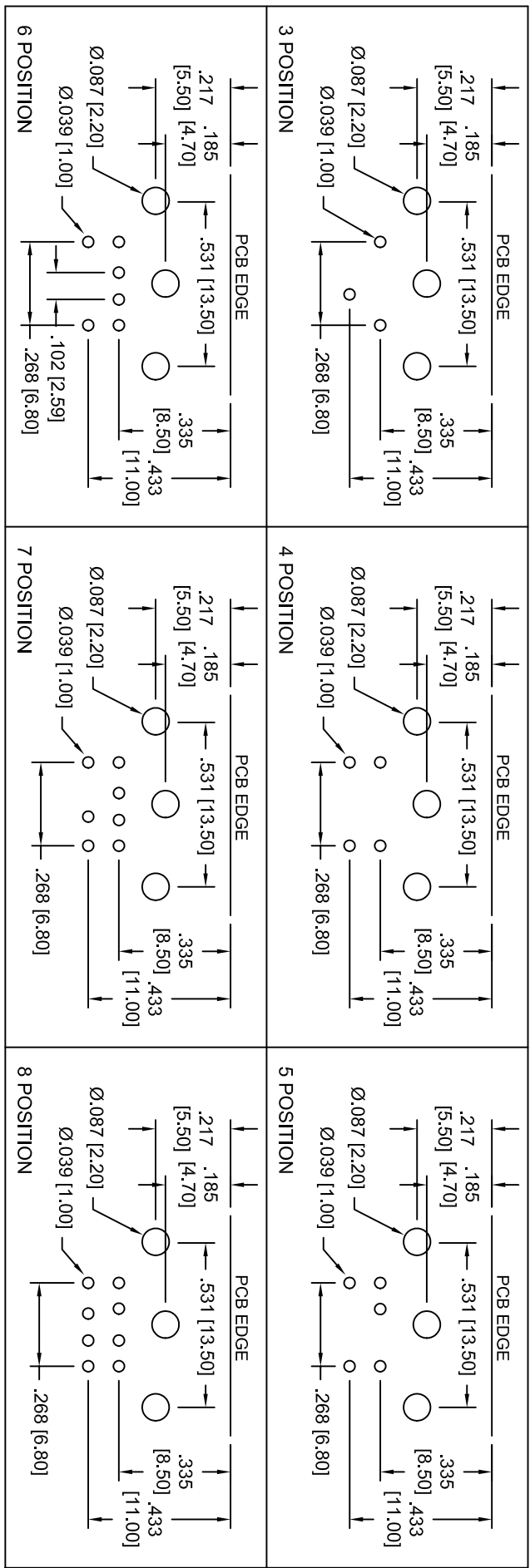
3

2

1

Rev	AWO #	Description	Date	Appr
		SEE SHT 1 OF 2 FOR REVISION		

APPROVED: \_\_\_\_\_  
 DATE: \_\_\_\_\_ TITLE: \_\_\_\_\_



UNLESS OTHERWISE SPECIFIED  
 ALL DIMENSIONS ARE INCHES [MM]  
 TOLERANCES: EXCEPT AS NOTED  
 INCHES HOLEES  
 .X ± .10 ØXX ± .10  
 .XX ± .020 ØXXX ± .015  
 .XXX ± .015 ØXXXX ± .010  
 APPROVALS DATE

**ADAM TECH**  
 909 Rahway Avenue, Union, NJ 07083  
 Phone: 908-687-5000 Fax: 908-687-5710

TITLE	MINI DIN JACK, FULLY SHIELDED, R/A
PCB	
DRAWN	SS
CHECKED	
APPROVED	
DATE	10/12/04
SIZE	PART NO.
X	MDJ-XXX-FS-RT
SCALE: NTS	SHEET 2 OF 2
REV.	

6

5

4

3

2

1