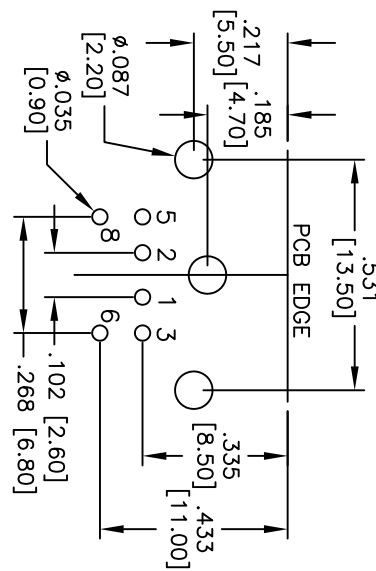
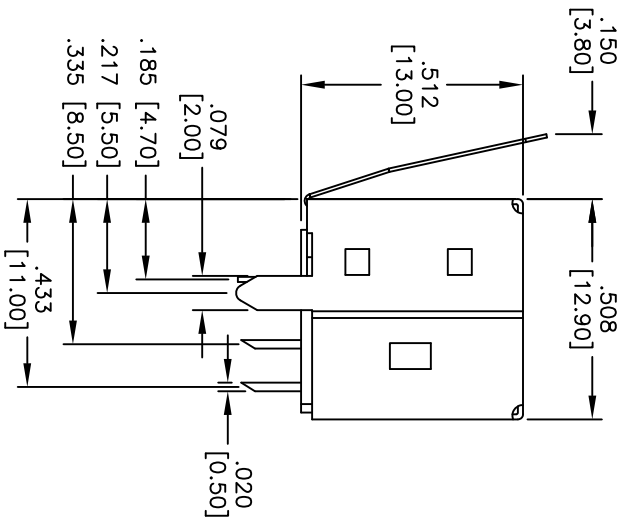
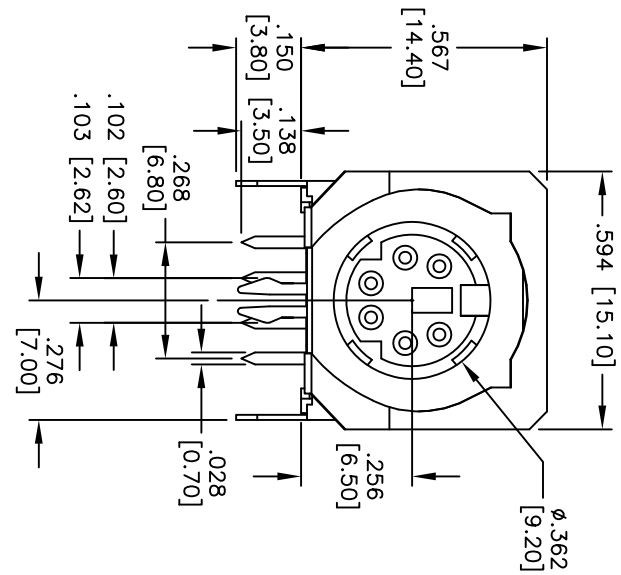


APPROVED: _____
 DATE: _____ TITLE: _____

Rev	AWO #	Description	Date	Appr
-		RELEASED	4/11/07	
A		REDRAWN	6/10/11	



MATING FACE CONFIGURATIONS

MDJ-003-FS-PG	MDJ-004-FS-PG	MDJ-005-FS-PG	MDJ-006-FS-PG	MDJ-007-FS-PG	MDJ-008-FS-PG

SPECIFICATIONS:

Material:
 Insulator: PBT, rated UL 94V-0
 Insulator color: Black
 Contacts: Phosphor Bronze
 Shield: Brass, Tin plated
 Spring Shield: Stainless
 Plating:
 Gold flash over Nickel underplate on contact area,
 Tin over Copper underplate on tails

Electrical:

Rated Voltage & Current: DC12V/2A Max; AC100V/1A MAX
 Contact resistance: 30 mohms max.
 Insulation resistance: 100 Mohms min.@500V DC
 Dielectric withstanding voltage: 250 VAC for 1 minute
 Environmental:
 Lead free, RoHS compliant.
 Recommended soldering temp: 235°C for 5 sec.



ADAM TECH

909 Rahway Avenue, Union, NJ 07083
 Phone: 908-687-5000 Fax: 908-687-5710

MINI DIN JACK, FULLY SHIELDED
 WITH PANEL GROUND

UNLESS OTHERWISE SPECIFIED ALL DIMENSIONS ARE INCHES [MM] TOLERANCES: EXCEPT AS NOTED INCHES		DRAWN		DATE	
X ± .10	ØX ± .10	WGM	4/11/07		
.XX ± .020	ØXX ± .015	CHECKED			
.XXX ± .015	ØXXX ± .010	APPROVED			
APPROVALS		SIZE	PART NO.	REV.	
		X	MDJ-XXX+FS-PG	A	
REF: S00095T		SCALE:	NTS	SHEET	1 OF 1