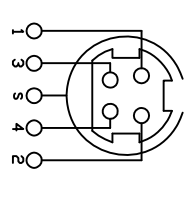
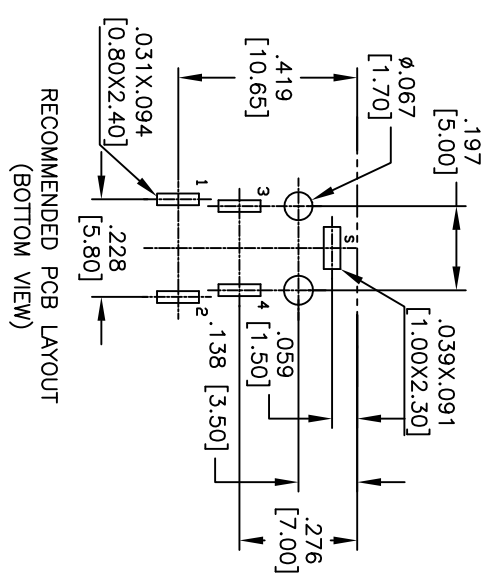
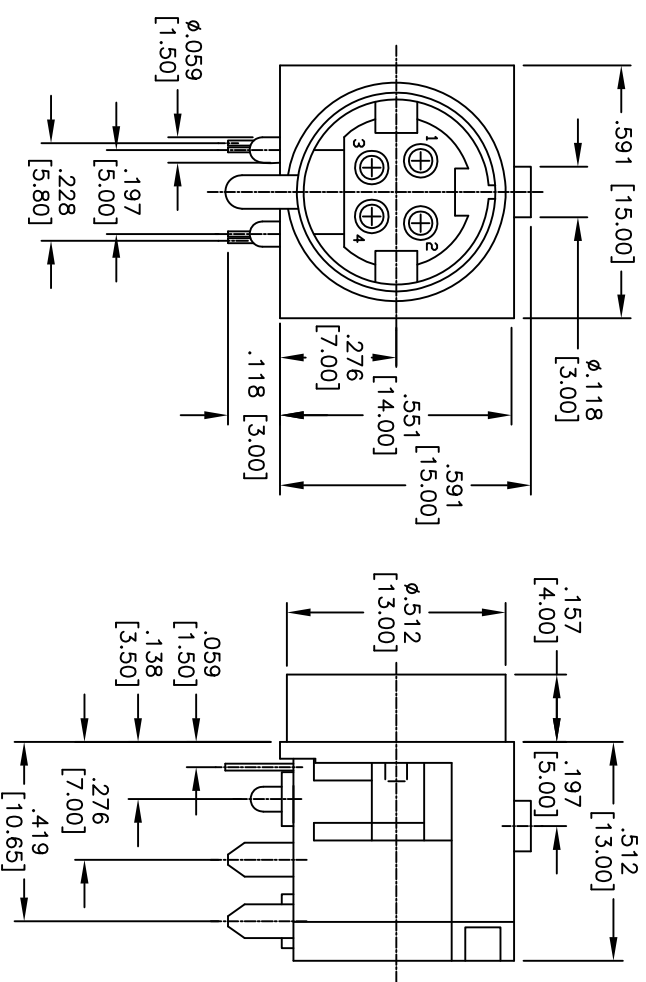


Rev	AWO #	Description	Date	Appr
-		RELEASED	8/27/10	

APPROVED: _____
 DATE: _____ TITLE: _____



CIRCUIT DIAGRAM

SPECIFICATIONS:

- Material: Insulator: PBT, rated UL 94V-0
- Insulator color: Black
- Contacts: Copper Alloy, Silver plated
- Electrical: Operating voltage: DC 20V
- Current rating: 7 Amp max
- Contact resistance: 50 mohms max
- Insulation resistance: 50 Mohms min.
- Dielectric withstanding voltage: 250 VAC for 1 minute
- Temperature Rating: Operating temperature: -40°C to +70°C
- Environmental: Lead free, RoHS compliant.
- Recommended soldering temp: 235° for 5 sec.

ADAM TECH

909 Rahway Avenue, Union, NJ 07083
 Phone: 908-687-5000 Fax: 908-687-5710

MINI DIN JACK, RIGHT ANGLE, PCB

UNLESS OTHERWISE SPECIFIED ALL DIMENSIONS ARE INCHES [MM]	
TOLERANCES: EXCEPT AS NOTED	
INCHES	HOLES
.X ± .10	ØXX ± .10
.XX ± .020	ØXXX ± .015
.XXX ± .015	ØXXXX ± .010
APPROVALS	DATE
DRAWN	DY
CHECKED	8/27/10
APPROVED	

SIZE	PART NO.	REV.
X	MDJ-H4P	-
REF: S0025C	SCALE: NTS	SHEET 1 OF 1