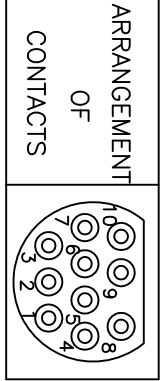
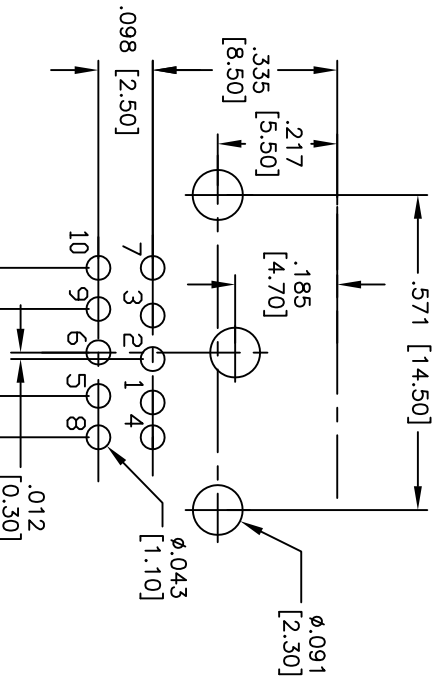
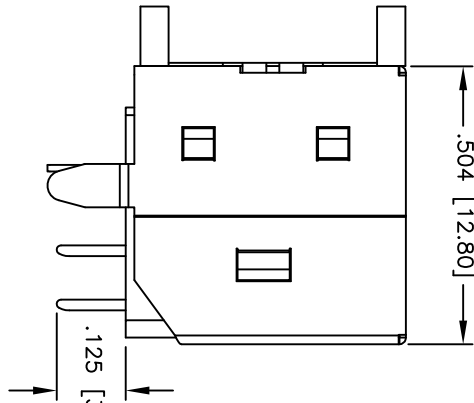
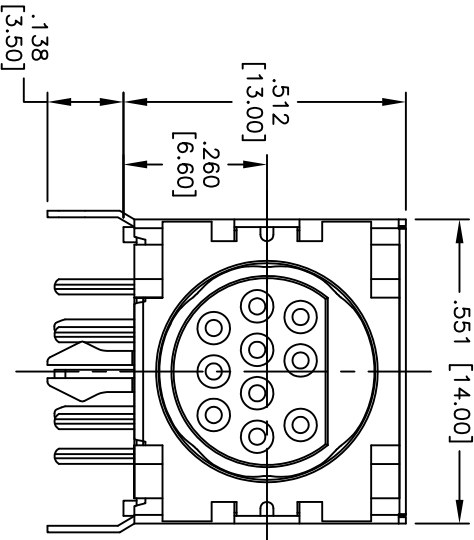


Rev	AWO #	Description	Date	Appr
-		RELEASED	6/11/10	

APPROVED: _____
 DATE: _____ TITLE: _____



RECOMMENDED PCB LAYOUT
(BOTTOM VIEW)

SPECIFICATIONS:
 Material: PBT, rated UL 94V-0
 Insulator color: Black
 Contacts: Copper Alloy
 Shield: Brass, Matte Tin plated & Nickel plated
 Ground Spring: Stainless Steel
 Plating:
 Gold flash over Nickel underplate on contact area,
 Matte Tin over Copper underplate on tails
 Electrical:
 Operating voltage: 100 VAC/12 VDC max.
 Current rating: 1 Amp max./2 Amps max.
 Contact resistance: 20 mohms max. initial
 Insulation resistance: 500 Mohms min.
 Dielectric withstanding voltage: 500 VAC for 1 minute
 Temperature Rating:
 Operating temperature: -25°C to +70°C
 Environmental:
 Lead free, RoHS compliant.
 Recommended soldering temp: 235° for 5 sec.



ADAM TECH

909 Rahway Avenue, Union, NJ 07083
 Phone: 908-687-5000 Fax: 908-687-5710

MINI DIN JACK, RIGHT ANGLE, PCB

UNLESS OTHERWISE SPECIFIED ALL DIMENSIONS ARE INCHES [MM]		TOLERANCES EXCEPT AS NOTED	
.X	± .10	Ø.X	± .10
.XX	± .020	Ø.XXX	± .015
.XXX	± .015	Ø.XXXX	± .010
APPROVALS		DATE	
DRAWN	DY	6/11/10	
CHECKED			
APPROVED			
SIZE	PART NO.	REV.	
X	MDJ-010-FS-PG4	-	
REF:	S000130	SCALE:	NIS
		SHEET	1 OF 1