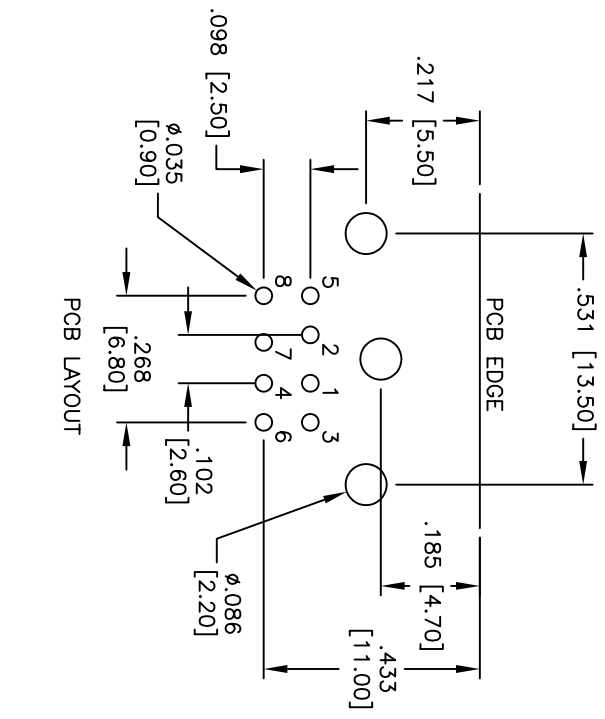
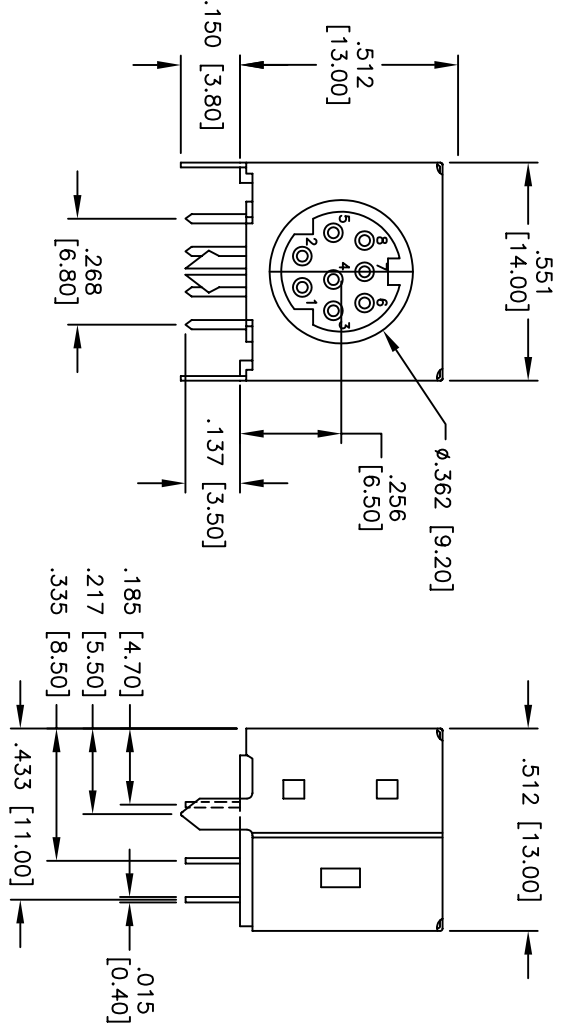


Rev	AWO #	Description	Date	Appr
-		RELEASED	12/30/05	

APPROVED: _____ TITLE: _____
 DATE: _____



MATING FACE CONFIGURATIONS					
MDJ-003-FS	MDJ-004-FS	MDJ-005-FS	MDJ-006-FS	MDJ-007-FS	MDJ-008-FS

SPECIFICATIONS:

Material: Insulator: PBT, glass filled, rated UL 94V-0
Insulator color: Black
Contacts: Phosphor Bronze
Shield: Copper Alloy, Tin plated
Plating: Gold over Nickel underplate on contact area, Tin over Copper underplate on tails

Electrical:
Operating voltage: 100 VAC/12 VDC max.
Current rating: 1 Amp max./2 Amps max.
Contact resistance: 30 mohms max. initial
Insulation resistance: 100 Mohms min.
Dielectric withstanding voltage: 250 VAC for 1 minute
Temperature Rating: Operating temperature: -25°C to +70°C

Environmental:
Lead free, RoHS compliant.
Recommended soldering temp: 235 for 5 sec.

UNLESS OTHERWISE SPECIFIED ALL DIMENSIONS ARE INCHES [MM] TOLERANCES: EXCEPT AS NOTED	
INCHES	HOLES
X ± .10	± .10
.XX ± .020	± .015
XXX ± .015	± .010
APPROVALS	DATE
DRAWN	SS
CHECKED	12/30/05
APPROVED	

ADAM TECH
 909 Rahway Avenue, Union, NJ 07083
 Phone: 908-687-5000 Fax: 908-687-5710

TITLE: MINI DIN JACK, RIGHT ANGLE, FULL SHIELD
 SIZE: PART NO. MDJ-00X-FS
 SCALE: NTS SHEET 1 OF 1

