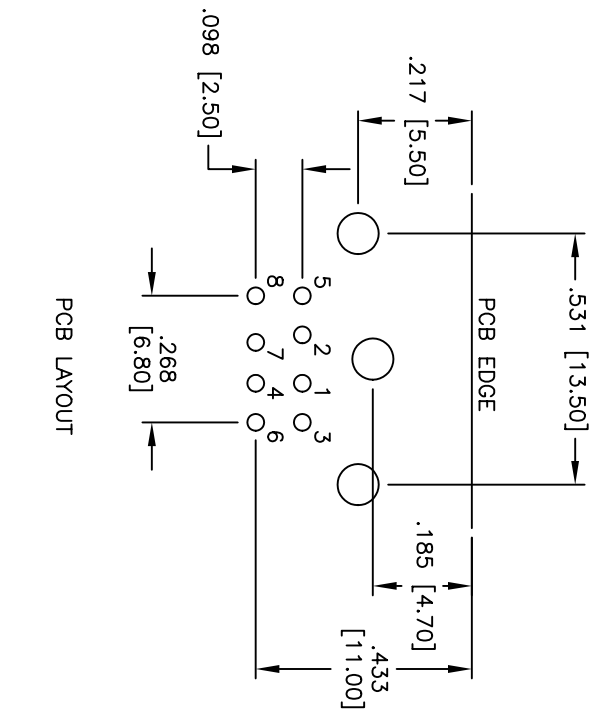
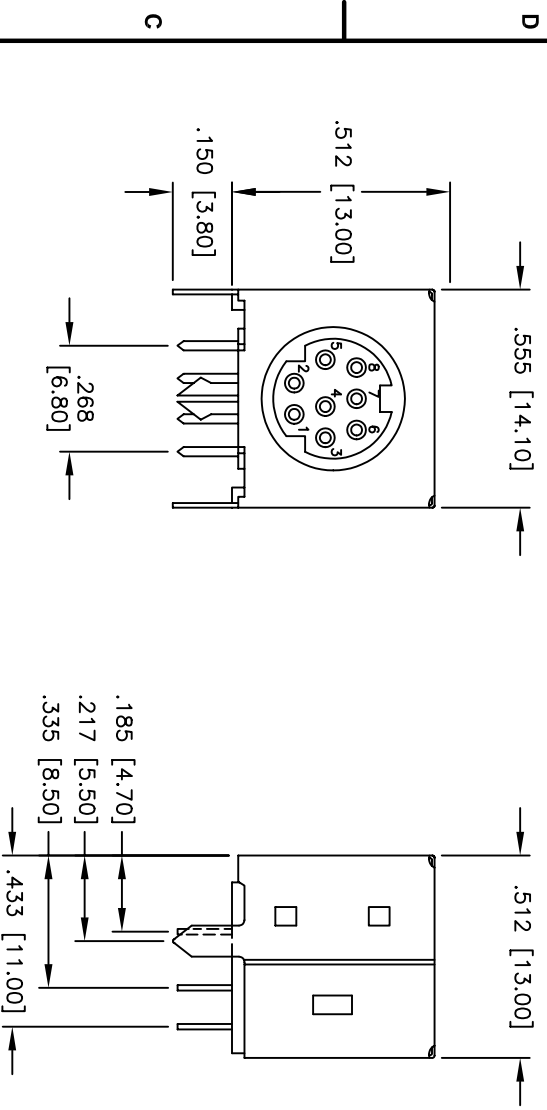


Rev	AWO #	Description	Date	Appr
-		RELEASED	12/30/04	

APPROVED: _____
 DATE: _____ TITLE: _____



MATING FACE CONFIGURATIONS					
MDJ-003-FS	MDJ-004-FS	MDJ-005-FS	MDJ-006-FS	MDJ-007-FS	MDJ-008-FS

SPECIFICATIONS:

Material:
 Insulator: PBT, glass filled, rated UL 94V-0
 Insulator color: Black
 Contacts: Phosphor Bronze
 Shield: Copper Alloy, Tin plated
 Plating:

30u" Gold over Nickel underplate on contact area, Tin over Copper underplate on tails

Electrical:

Operating voltage: 100 VAC/12 VDC max.
 Current rating: 1 Amp max./2 Amps max.
 Contact resistance: 20 mohms max. initial
 Insulation resistance: 500 Mohms min.
 Dielectric withstanding voltage: 500 VAC for 1 minute
 Temperature Rating:
 Operating temperature: -25°C to +70°C
 Environmental:
 Lead Free, RoHS Compliant

UNLESS OTHERWISE SPECIFIED ALL DIMENSIONS ARE INCHES [MM] TOLERANCES: EXCEPT AS NOTED	
INCHES	HOLES
.X ± .10	ØX ± .10
.XX ± .020	ØXX ± .015
.XXX ± .015	ØXXX ± .010
APPROVALS	DATE
DRAWN	SS
CHECKED	12/30/04
APPROVED	

ADAM TECH
 909 Rahway Avenue, Union, NJ 07083
 Phone: 908-687-5000 Fax: 908-687-5710

TITLE: **MINI DIN JACK, RIGHT ANGLE, FULL SHIELD
 30u" GOLD, RoHS COMPLIANT**

SIZE: X PART NO.: MDJ-00X-FS-30-RC
 SCALE: NTS SHEET 1 OF 1