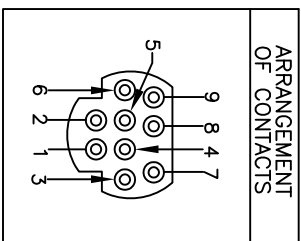
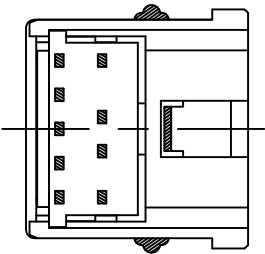
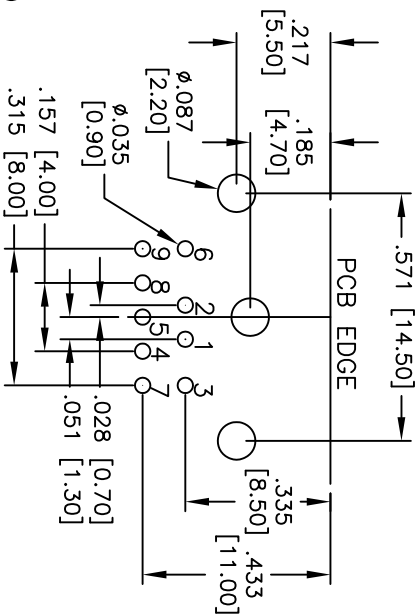
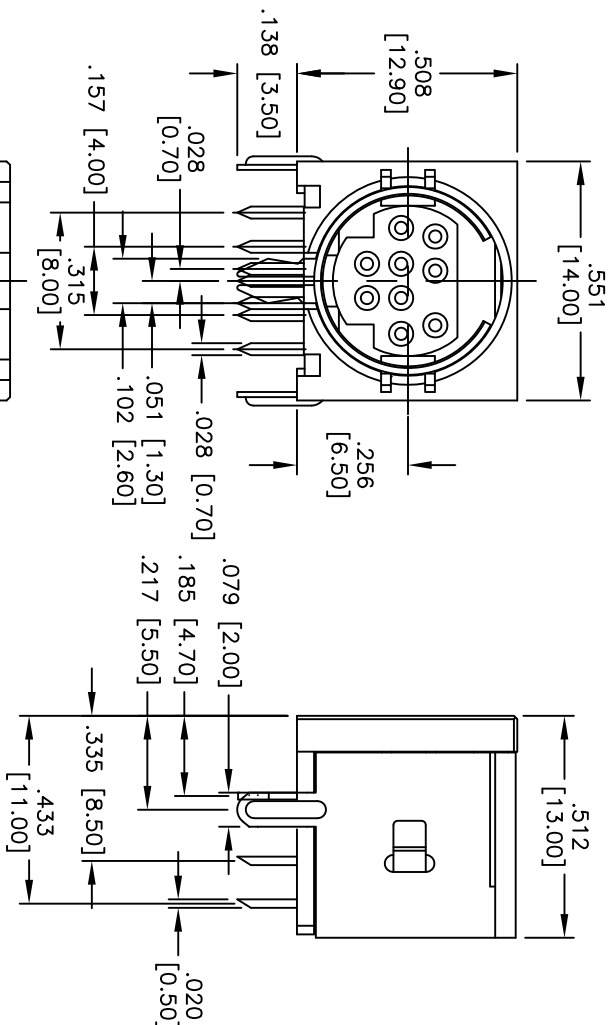


APPROVED: \_\_\_\_\_  
 DATE: \_\_\_\_\_ TITLE: \_\_\_\_\_

Rev	AWO #	Description	Date	Appr
-		RELEASED	6/13/07	
A		REDRAWN	6/10/11	



**SPECIFICATIONS:**  
 Material: PBT, glass reinforced, rated UL 94V-0  
 Insulator color: Black  
 Contact Term.: Phosphor Bronze  
 Ground Term.: Brass, Tin plated  
 Shell: SPCC, Nickel plated  
 Plating:  
 Gold flash over Nickel underplate on contact area,  
 Tin over Copper underplate on tails  
 Electrical:  
 Rated Voltage & Current: DC12V/2A Max; AC100V/1A MAX  
 Contact resistance: 30 mohms max.  
 Insulation resistance: 100 Mohms min.@500V DC  
 Dielectric withstanding voltage: 250 VAC for 1 minute  
 Environmental:  
 Lead free, RoHS compliant.  
 Recommended soldering temp: 235°C for 5 sec.

UNLESS OTHERWISE SPECIFIED ALL DIMENSIONS ARE INCHES [MM] TOLERANCES: EXCEPT AS NOTED			
.X	± .10	ØXX	± .10
.XX	± .020	ØXXX	± .015
.XXX	± .015	ØXXXX	± .010
APPROVALS		DATE	
DRAWN	SS	6/13/07	
CHECKED			
APPROVED			

**ADAM TECH**  
 909 Rahway Avenue, Union, NJ 07083  
 Phone: 908-687-5000 Fax: 908-687-5710

TITLE: **MINI DIN JACK, RIGHT ANGLE, SHIELDED**

SIZE	PART NO.	REV.
X	MDJ-009-S	A
REF: S00095T	SCALE: NTS	SHEET 1 OF 1