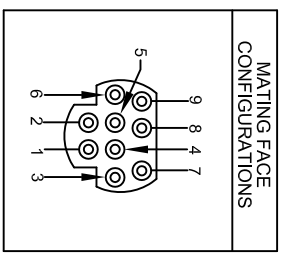
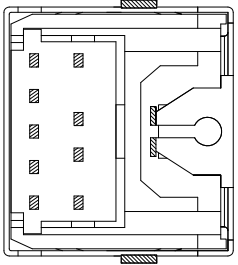
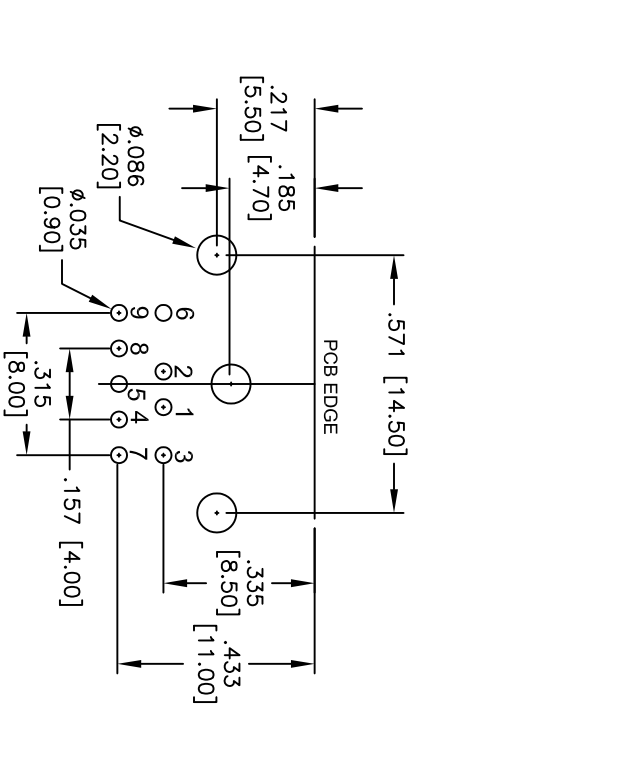
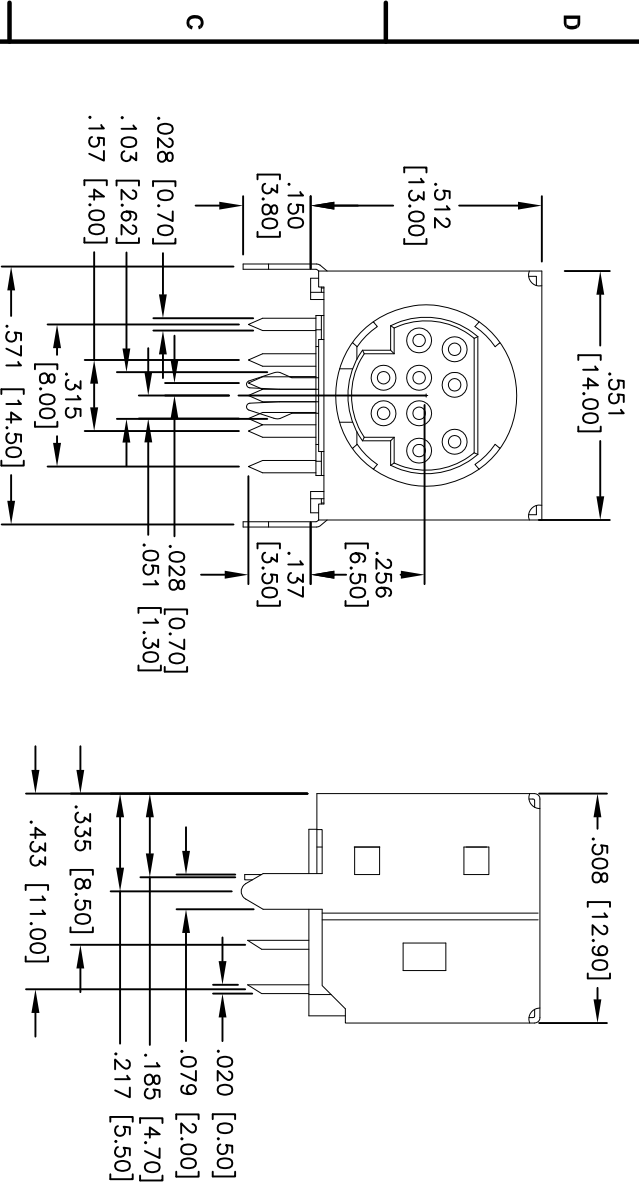


Rev	AWO #	Description	Date	Appr
-		RELEASED	12/9/10	

APPROVED: _____ TITLE: _____
 DATE: _____



SPECIFICATIONS:

Material: PBT, glass filled, rated UL 94V-0
 Insulator color: Black
 Contacts: Phosphor Bronze
 Shield: Brass, Tin plated
 Plating: Gold over Nickel underplate on contact area, Tin over Copper underplate on tails

Electrical:
 Operating voltage: 100 VAC/12 VDC max.
 Current rating: 1 Amp max./2 Amps max.
 Contact resistance: 30 mohms max. initial
 Insulation resistance: 100 Mohms min @ 500 VDC
 Dielectric withstanding voltage: 250 VAC for 1 minute
 Temperature Rating: Operating temperature: -25°C to +70°C

Environmental:
 Lead free, RoHS compliant.
 Recommended soldering temp: 235°C for 5 sec.

PCB LAYOUT
 BOTTOM VIEW

UNLESS OTHERWISE SPECIFIED ALL DIMENSIONS ARE INCHES [MM] TOLERANCES: EXCEPT AS NOTED	
INCHES	HOLES
.X ± .10	± .10
.XX ± .020	± .015
.XXX ± .015	± .010
ØXXX	± .010
APPROVALS	
DRAWN	DATE
AY	12/9/10
CHECKED	DATE
SC	12/9/10
APPROVED	DATE

ADAM TECH
 909 Rahway Avenue, Union, NJ 07083
 Phone: 908-687-5000 Fax: 908-687-5710

TITLE: MINI DIN JACK, RIGHT ANGLE, FULL SHIELD

SIZE	PART NO.	REV.
X	MDJ-009-FS	-
REF:	SCALE:	SHEET
S00095T	NTS	1 OF 1