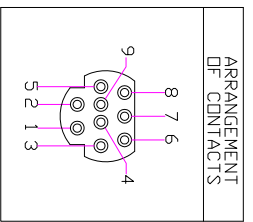
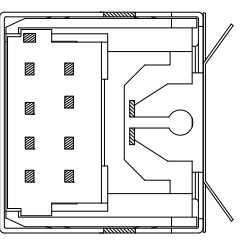
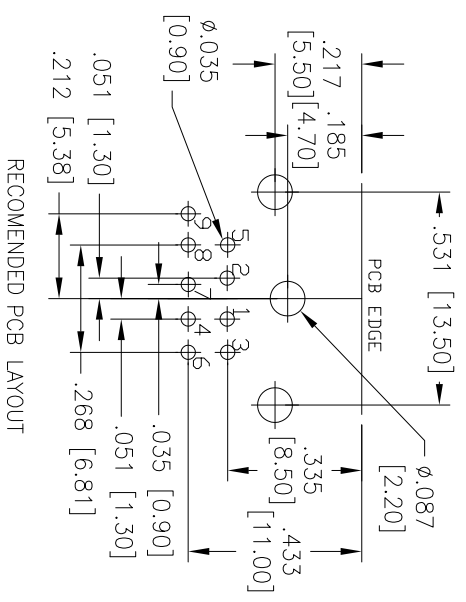
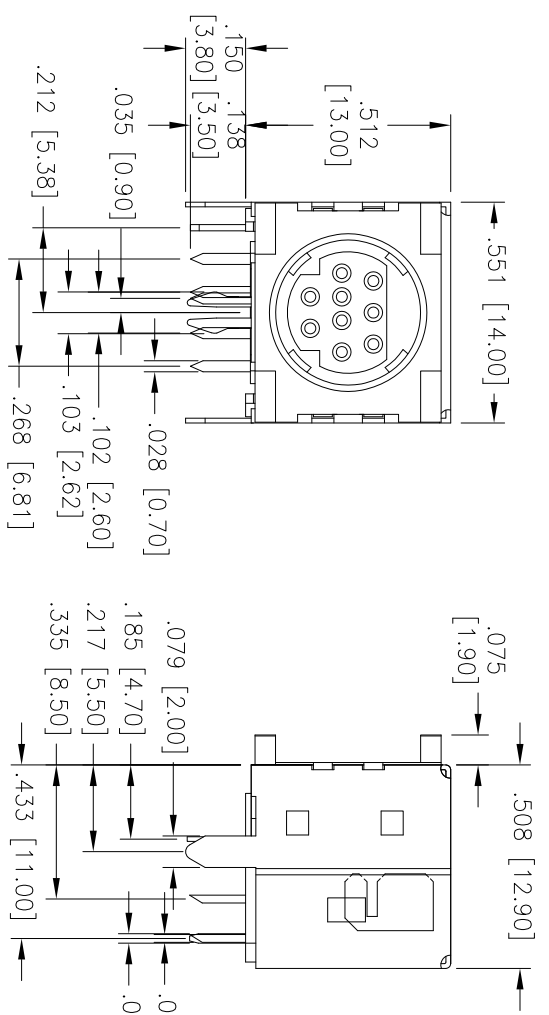


Rev	AWO #	Description	Date	Appr
-		RELEASED	7/20/11	

APPROVED: _____ TITLE: _____
 DATE: _____



SPECIFICATIONS:

Material:

Insulator: Hi-temp thermoplastic, glass filled, rated UL 94V-0

Insulator color: Black

Contacts: Phosphor Bronze

Shield: Brass, Tin Plated

Plating:

Gold over Nickel underplate on contact area,
Tin over Copper underplate on tails.

Electrical:

Current rating: 1 Amp @ 100V AC,
2 Amps @ 12V DC.

Insulation resistance: 100 Mohms min @ 500 VDC

Dielectric withstanding voltage: 250 VAC for 1 minute

Environmental:

Operating temperature: -25°C to + 70°C

Environmental:

Lead free, RoHS Compliant

Recommended soldering temp: 235°C for 5 seconds



UNLESS OTHERWISE SPECIFIED ALL DIMENSIONS ARE MM [INCHES] TOLERANCES: EXCEPT AS NOTED	
INCHES: 10	HOLES
X ± .10	ØX ± .10
.XX ± .020	ØXX ± .015
.XXX ± .015	ØXXX ± .010
APPROVALS	DATE
DRAWN	DY
CHECKED	7/20/11
APPROVED	

ADAM TECH
 909 Rahway Avenue, Union, NJ 07083
 Phone: 908-687-5000 Fax: 908-687-5710

TITLE
**MINI DIN JACK, 9 POS, FULLY
 SHIELDED, PANEL GROUNDS**

SIZE	PART NO.	REV.
X	MDJ-009-FS-PG4-HT	-
REF:	S00095T	SCALE: NTS
		SHEET 1 OF 1