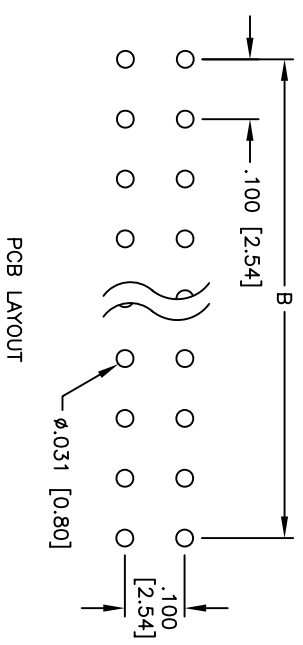
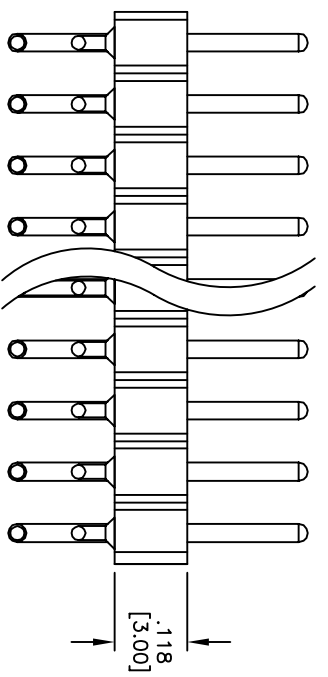
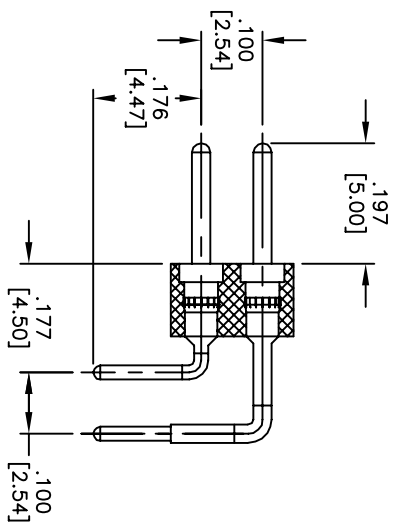
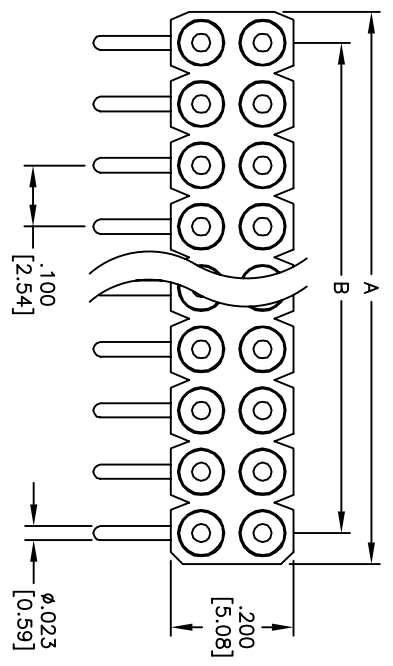


Rev	AWO #	Description	Date	Appr
-	8366	RELEASED	1/18/08	

APPROVED: \_\_\_\_\_  
 DATE: \_\_\_\_\_ TITLE: \_\_\_\_\_



**SPECIFICATIONS:**  
 Material: Insulator: Valox, Glass reinforced, rated UL 94V-0  
 Insulator color: Black  
 Contacts: Brass  
 Plating: Gold over Nickel underplate overall

**Electrical:**  
 Operating voltage: 250 VAC max  
 Current rating: 3 Amp max  
 Contact resistance: 30 mohms max initial  
 Insulation resistance: 1,000 Mohms min  
 Dielectric withstanding voltage: 500 VAC for 1 minute  
**Temperature Rating:**  
 Operating temperature: -55°C to +125°C  
**Environmental:**  
 Lead free, RoHS compliant  
 Recommended soldering temp: 260°C for 5 seconds

Positions: 2 thru 80  
 A = .100 [2.54] x No. of Positions per Row  
 B = .100 [2.54] x No. of Spaces per Row

UNLESS OTHERWISE SPECIFIED  
 ALL DIMENSIONS ARE IN INCHES [MM]  
 TOLERANCES: EXCEPT AS NOTED

INCHES	HOLES
.X ± .10	ØXX ± .10
.XX ± .020	ØXXX ± .015
.XXX ± .015	ØXXXX ± .010

APPROVALS: \_\_\_\_\_ DATE: \_\_\_\_\_

DRAWN	SS	1/18/08
CHECKED		
APPROVED		

**ADAM TECH**  
 909 Rahway Avenue, Union, NJ 07083  
 Phone: 908-687-5000 Fax: 908-687-5710

TITLE: SCREW MACHINE TERMINAL STRIP, DUAL ROW  
 RIGHT ANGLE, .100" X .100" SPACING, GOLD

SIZE	PART NO.	REV.
X	MCT-2R-XX-1-G	-
REF:	SCALE: NTS	SHEET 1 OF 1