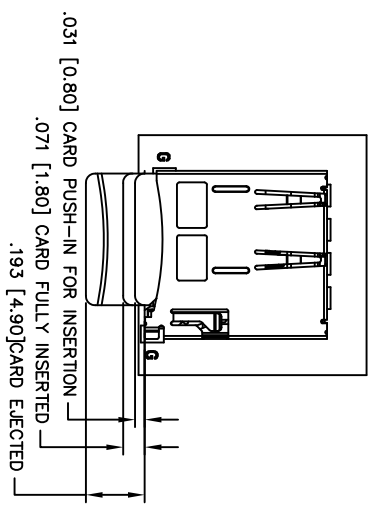
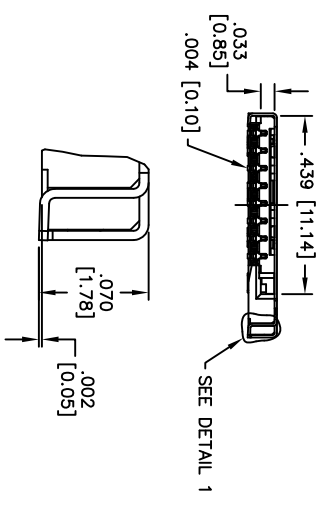


RECOMMEND PCB LAYOUT



PART NAME	QTY	MATERIAL
BODY	1	LCP+35%GF
SLIDER	1	LCP+35%GF
CONTACT	1	CS210R-EH
SWITCH	1	C2680R-H
SHELL	1	SUS304R-3/4H
DRAG LINK	1	SUS304
SPRING	1	PLANO WIRE

PIN NUMBER	PIN ASSIGNMENT	PIN NUMBER	PIN ASSIGNMENT
1	DAT2	6	VSS
2	CD/DAT3	7	DATO
3	GND	8	DATI
4	VDD	CD	CARD DETECTION
5	CLK	G	GROUND

PACKAGED ON TAPE & REEL

SPECIFICATIONS:
Material:
 Insulator: Hi-temp
 Insulator color: Black
 Contacts: Copper Alloy
Plating:
 Gold Flash over Nickel underplate on mating contact area,
 Tin over Copper underplate on SMT tail
Electrical:
 Operating voltage: 30 VAC max
 Current rating: 0.5 Amps max.
 Contact resistance: 40 mohms max.
 Insulation resistance: 1,000 Mohms min @ 500 VAC
 Dielectric withstanding voltage: 500 VAC for 1 minute
Mechanical:
 Durability: 1,000 cycles min
Temperature Rating:
 Operating temperature: -25°C to +85°C
 Environmental:
 Lead free, RoHS compliant.
 Recommended soldering temp: 260°C for 5 sec.

UNLESS OTHERWISE SPECIFIED
 ALL DIMENSIONS ARE INCHES [MM]
 TOLERANCES: EXCEPT AS NOTED

INCHES	HOLES
.X ± .10	Ø.X ± .10
.XX ± .020	Ø.XX ± .015
.XXX ± .015	Ø.XXX ± .010

ADAM TECH
 909 Railway Avenue, Union, NJ 07083
 Phone: 908-687-5000 Fax: 908-687-5710

APPROVALS	DATE	TITLE	SIZE	PART NO.	REV.
DRAWN AY	9/16/10	MICRO SD SOCKET 8 PIN	X	MCSP-D-08-A-SG	
CHECKED JL	9/16/10	PUSH-PUSH TYPE, BODY HEIGHT 1.75			
APPROVED					