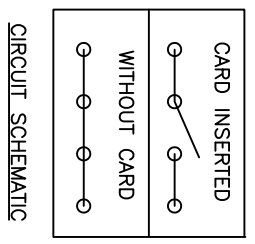
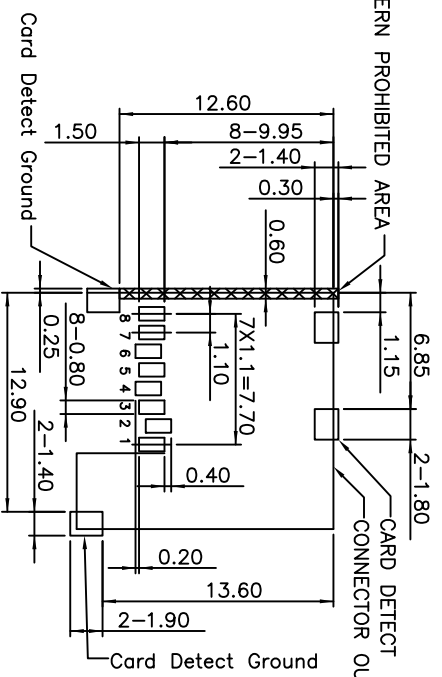
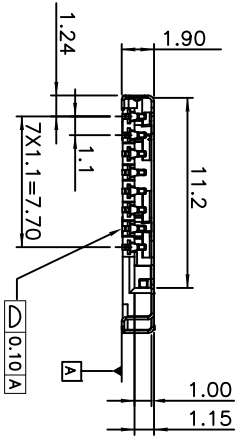
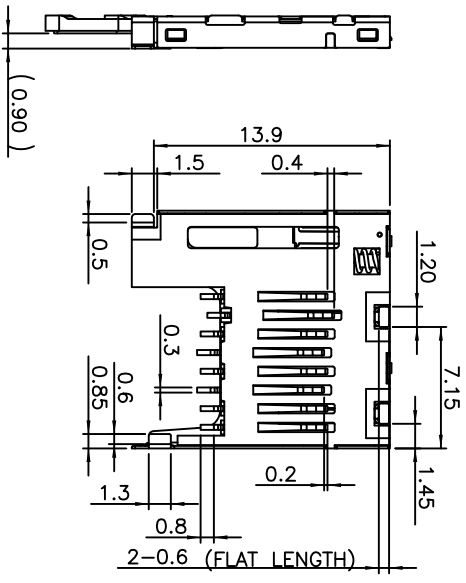
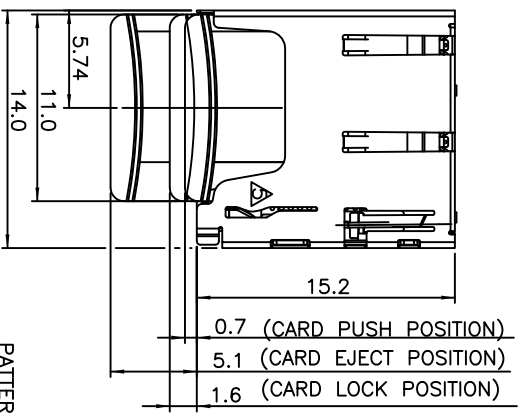


APPROVED: _____
 DATE: _____ TITLE: _____



PIN ASSIGNMENT TABLE

PIN #	NAME
1	DAT2
2	CD/DAT3
3	CMD
4	VDD
5	CLK
6	VSS
7	DAT0
8	DAT1

RECOMMENDED PCB LAYOUT
 GENERAL TOLERANCE : ±0.05

SPECIFICATIONS:

- Material: Insulator: LCP, glass reinforced, rated UL 94V-0
- Contact: Copper Alloy
- Shell: Stainless Steel (SUS304)
- Plating: Gold over Nickel underplate on contact area, Tin over Copper underplate on SMT tails
- Electrical: Rate Voltage: 100V
- Current rating: 0.5 Amps max
- Contact resistance: 100 mohms max
- Insulation resistance: 1000 Mohms min @ 500V DC
- Dielectric withstanding voltage: 500 VAC for 1 minute
- Temperature Rating: Operating temperature: -25°C to +85°C
- Environmental: Lead free, RoHS compliant.
- Recommended soldering temp: 260°C for 5 sec.



Rev	AWO #	Description	Date	Appr
-		RELEASED	2/10/10	

UNLESS OTHERWISE SPECIFIED
 ALL DIMENSIONS ARE MM
 TOLERANCES: EXCEPT AS NOTED

INCHES	HOLES
.X ± .10	Ø.X ± .10
.XX ± .020	Ø.XXX ± .015
.XXX ± .015	Ø.XXX ± .010

APPROVALS

DATE	DATE
2/10/10	

DRAWN: DY
 CHECKED: _____
 APPROVED: _____

ADAM TECH
 909 Rahway Avenue, Union, NJ 07083
 Phone: 908-687-5000 Fax: 908-687-5710

TITLE: MICRO SD MEMORY CARD CONN.
 PUSH/PUSH TYPE (SPRING LOCK)

SIZE: X
 PART NO.: MCSP-08-D-SG

REF: S0003T
 SCALE: NTS
 SHEET 1 OF 1