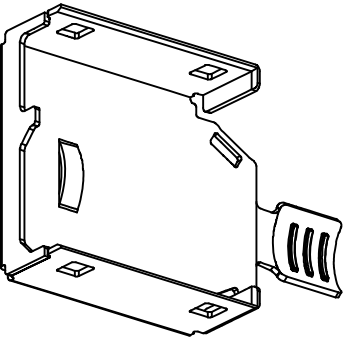
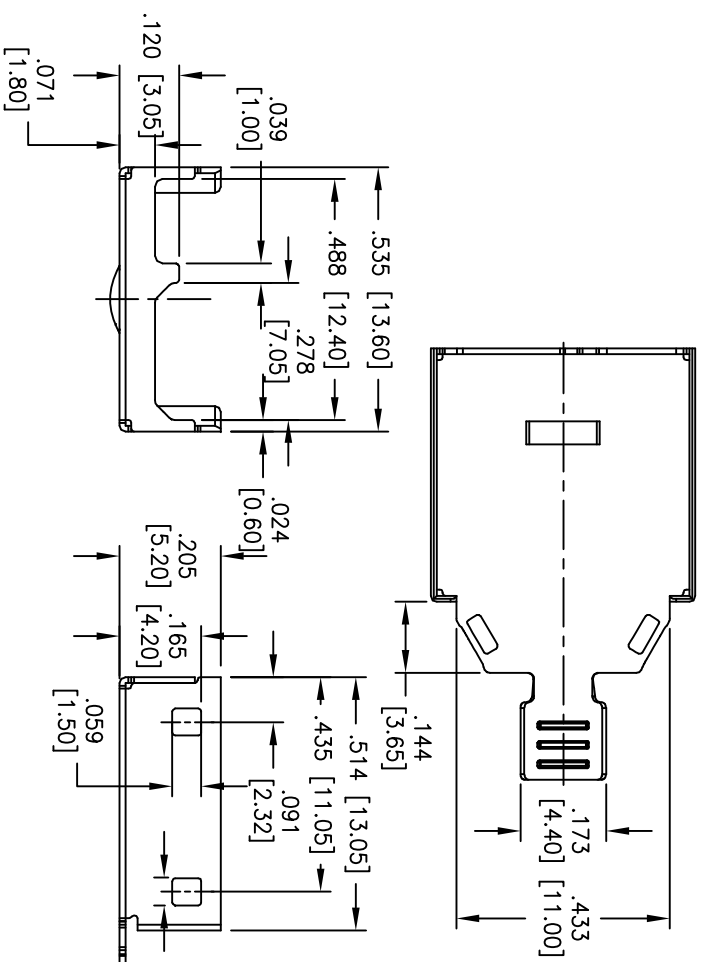
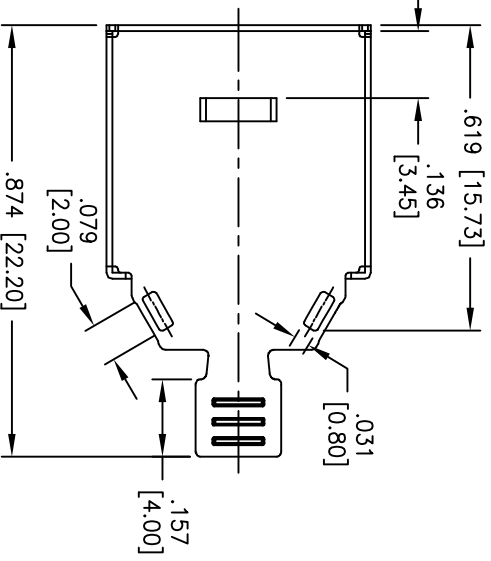


APPROVED: _____
 DATE: _____ TITLE: _____

Rev	AWO #	Description	Date	Appr
		SEE SHT 1 OF 4 FOR REVISION		



UPPER SHELL



UNLESS OTHERWISE SPECIFIED
 ALL DIMENSIONS ARE INCHES [MM]
 TOLERANCES: EXCEPT AS NOTED
 INCHES: .10 ± .020
 .XX ± .015
 .XXX ± .010
 HOLES: ØXX ± .015
 ØXXX ± .010

ADAM TECH
 909 Railway Avenue, Union, NJ 07083
 Phone: 908-687-5000 Fax: 908-687-5710

TITLE: MICRO USB 3.0 B TYPE, MALE, 10PIN

APPROVALS	DATE
DRAWN DY	2/04/10
CHECKED	
APPROVED	

SIZE	PART NO.	REV.
X	MCR-BP3	-

REF: S00022C SCALE: NTS SHEET 3 OF 4

