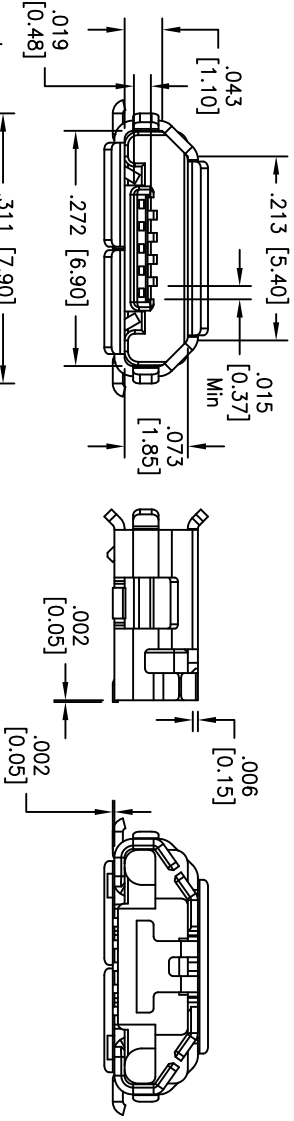
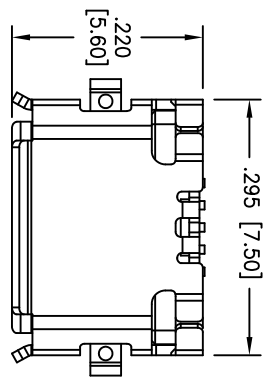
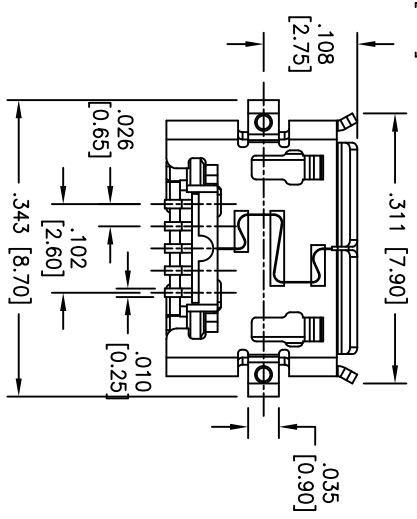
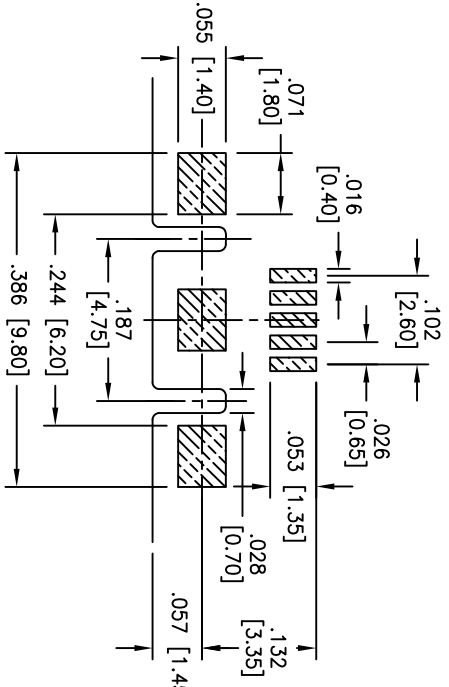


Rev	AWO #	Description	Date	Appr
-		RELEASED	4/26/11	

APPROVED: \_\_\_\_\_  
 DATE: \_\_\_\_\_ TITLE: \_\_\_\_\_



RECOMMENDED PCB LAYOUT



**SPECIFICATIONS:**  
 Material: Insulator: LCP, glass reinforced, rated UL 94V-0  
 Insulator color: Black  
 Contacts: Phosphor Bronze  
 Shell: Brass  
 Plating: Gold Flash over Nickel underplate overall

**Electrical:**  
 Operating voltage: 30 VAC max.  
 Current rating: 1.5 Amp max.  
 Contact resistance: 30 mohms max.  
 Insulation resistance: 100 Mohms min. @ 100 VDC  
 Withstand voltage: 100 VAC for 1 minute

**Packaging:**  
 Supplied on Tape & Reel

**Environmental:**  
 Lead free, RoHS compliant.  
 Recommended soldering temp: 260°C for 5 sec.



**ADAM TECH**

909 Railway Avenue, Union, NJ 07083  
 Phone: 908-687-5000 Fax: 908-687-5710

**TITLE**  
 MICRO USB, TYPE B, SINGLE PORT  
 FEMALE, SMT TYPE, TAPE & REEL

UNLESS OTHERWISE SPECIFIED ALL DIMENSIONS ARE INCHES [MM] TOLERANCES: EXCEPT AS NOTED		Holes		DATE	
X	± .10	ØX	± .10		
.XX	± .020	ØXX	± .015		
.XXX	± .015	ØXXX	± .010		
APPROVALS		DATE			
DRAWN	DY	4/26/11			
CHECKED					
APPROVED					
SIZE	PART NO.	TITLE		REV.	
X	MCR-B-S-RA-TSMT-INV-T/R	MICRO USB, TYPE B, SINGLE PORT FEMALE, SMT TYPE, TAPE & REEL		-	
REF: S0002C	SCALE: NTS	SHEET 1 OF 1			