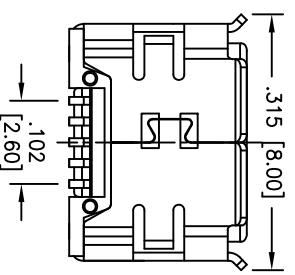
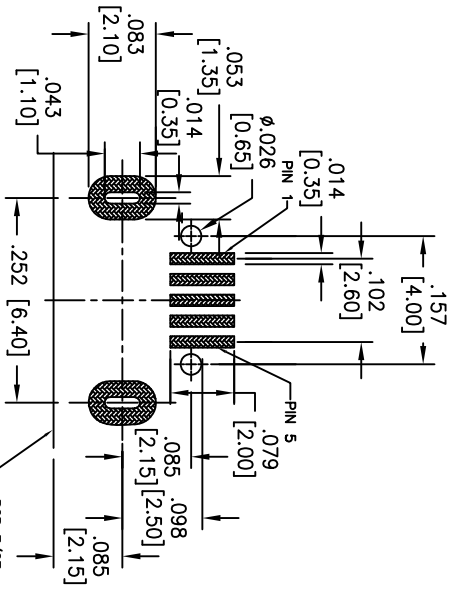
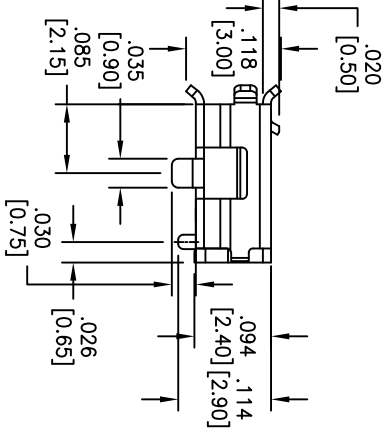
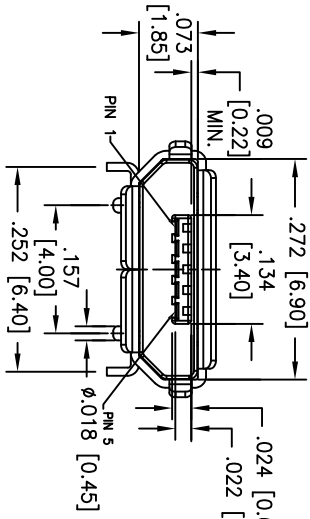
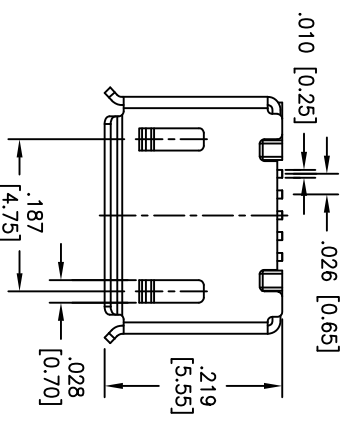


Rev	AWO #	Description	Date	Appr
-		RELEASED	4/12/11	

APPROVED: \_\_\_\_\_ TITLE: \_\_\_\_\_  
 DATE: \_\_\_\_\_



**SPECIFICATIONS:**

- Material: Insulator: LCP, glass reinforced, rated UL 94V-0
- Insulator color: Black
- Contacts: Brass
- Shell: Brass, Matte Tin plated.
- Plating: Gold Flash over Nickel overall
- Electrical: Operating voltage: 30 VAC max. Current rating: 1 Amp max. Contact resistance: 30 mohms max. Insulation resistance: 1000 Mohms min. @ 100 VDC Dielectric withstanding voltage: 1000 VAC for 1 minute Temperature Rating: Operating temperature: -20°C to +85°C Packaging: Supplied on Tape & Reel Environmental: Lead free, RoHS compliant. Recommended soldering temp: 260C for 5 sec.

**ADAM TECH**

909 Rahway Avenue, Union, NJ 07083  
 Phone: 908-687-5000 Fax: 908-687-5710

TITLE		MCR-B-S-RA-SMT-P-T/R	
MICRO USB, TYPE B, SINGLE PORT		SIZE	PART NO.
FEMALE, DIP SHELL, SMT TYPE, TAPE & REEL		X	MCR-B-S-RA-SMT-P-T/R
REF: S0005C	SCALE: NTS	SHEET 1	OF 1

UNLESS OTHERWISE SPECIFIED ALL DIMENSIONS ARE INCHES [MM] TOLERANCES: EXCEPT AS NOTED	
INCHES	MM
.X ± .10	ØX ± .10
.XX ± .020	ØXX ± .015
.XXX ± .015	ØXXX ± .010
APPROVALS	DATE
DRAWN	DY
CHECKED	4/12/11
APPROVED	

