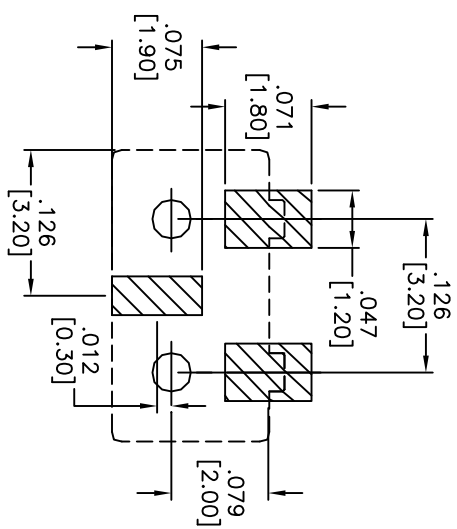
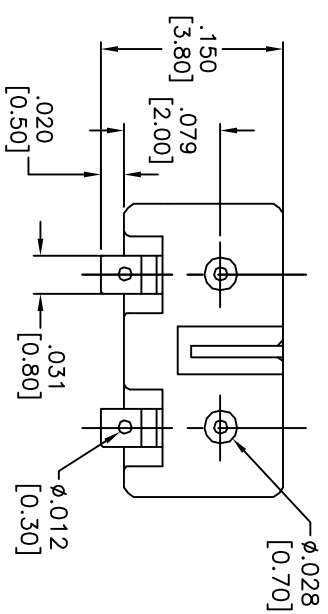
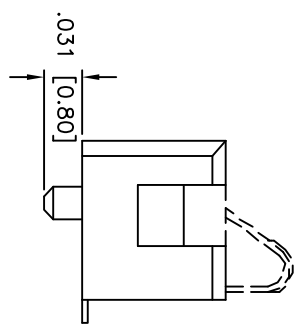
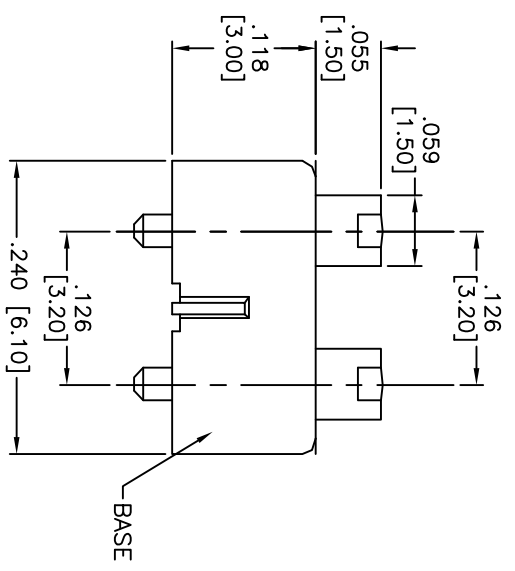


Rev	AWO #	Description	Date	Appr
-		RELEASED	12/14/10	

6 5 4 3 2 1

APPROVED: _____

DATE: _____ TITLE: _____



RECOMMENDED PCB LAYOUT

SPECIFICATION:

Material: Insulator: HI-temp plastic, Rated UL-94V-0

Insulator color: Black

Contacts: Phosphor Bronze

Plating: Gold flash on contact, solder all over Nickel.

Electrical:

Current rating: 1.5 Amps max.

Contact resistance: 40 mohms max.

Insulation resistance: 1000 Mohms min.

Dielectric withstanding voltage: 250 VAC for 1 minute

Temperature Rating:

Operating temperature range: -30°C ~ +85°C

Environmental:

Lead free, RoHS compliant.

Recommended soldering temp: 260°C for 5 sec.



UNLESS OTHERWISE SPECIFIED ALL DIMENSIONS ARE INCHES [MM]	
TOLERANCES: EXCEPT AS NOTED	
INCHES	HOLDS
.X ± .10	± .10
.XX ± .020	± .015
.XXX ± .015	± .010
APPROVALS	DATE
DRAWN AY	12/14/10
CHECKED VW	12/14/10
APPROVED	

ADAM TECH
909 Railway Avenue, Union, NJ 07083
Phone: 908-687-5000 Fax: 908-687-5710

TITLE: .126 [3.20] PITCH SPEAKER CONNECTOR
SMT TYPE

SIZE	PART NO.	SCALE	SHEET 1 OF 1
X	MBC-J-2	NIS	
REF:	S0014TT		

6 5 4 3 2 1