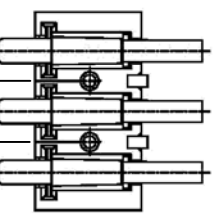
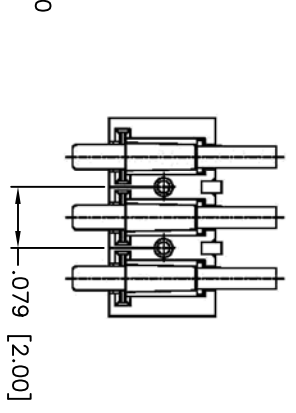
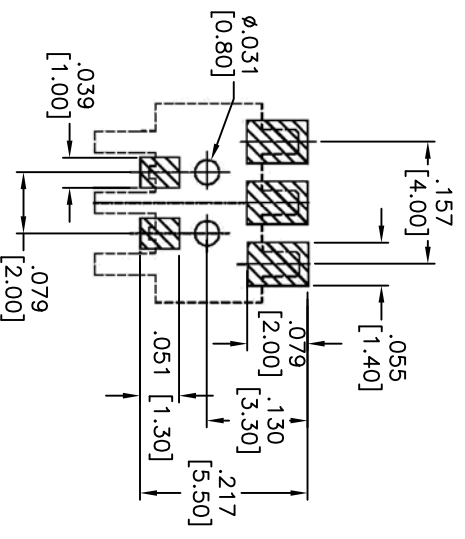
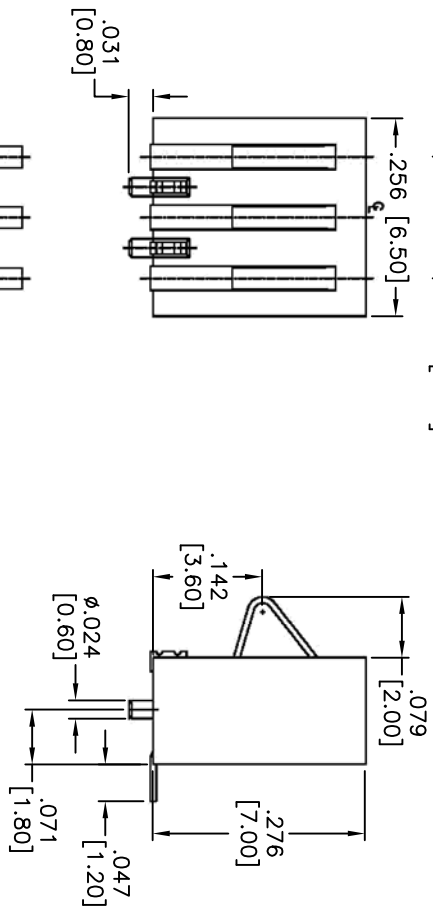
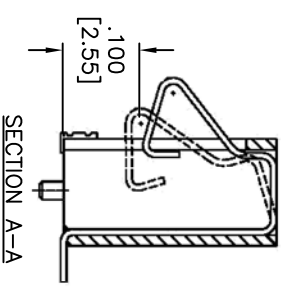
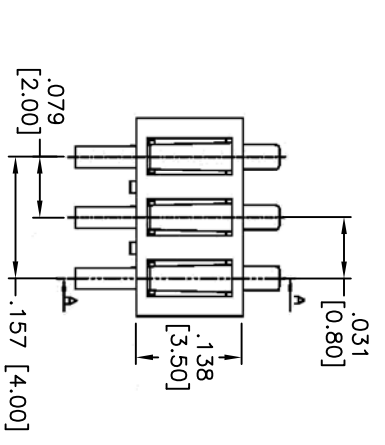


Rev	AWO #	Description	Date	Appr
-		RELEASED	2/10/10	

APPROVED: \_\_\_\_\_  
 DATE: \_\_\_\_\_ TITLE: \_\_\_\_\_



RECOMMENDED PCB LAYOUT

**SPECIFICATION:**

**Material:**

Insulator: LCP, Rated UL-94V-0  
 Insulator color: Black  
 Contacts: Copper Alloy

**Contact Plating:**

Gold over Nickel underplate on contact area, Tin over Copper underplate on SMT tails

**Electrical:**

Operating Voltage: 250V AC/DC  
 Current rating: 1.0 A AC/DC  
 Contact resistance: 30 mohms max  
 Insulation resistance: 1000 Mohms min  
 Dielectric withstanding voltage: 500 VAC / minute  
 Environmental:  
 Lead free, RoHS compliant.  
 Recommended soldering temp: 260°C for 5 sec.



UNLESS OTHERWISE SPECIFIED ALL DIMENSIONS ARE IN INCHES [MM]	
TOLERANCES: EXCEPT AS NOTED	
INCHES	HOLES
.X ± .10	Ø.X ± .10
.XX ± .020	Ø.XX ± .015
.XXX ± .015	Ø.XXX ± .010
APPROVALS	DATE
DRAWN	2/10/10
CHECKED	
APPROVED	

**ADAM TECH**  
 909 Rahway Avenue, Union, NJ 07083  
 Phone: 908-687-5000 Fax: 908-687-5710

TITLE	.079 [2.00] PITCH BATTERY CONNECTOR	
SPRING TYPE, SIDE CONTACT, HEIGHT 7.0MM	SIZE	PART NO.
	X	MBC-E-3
REV.	REF:	SCALE: NTS
	S0014TT	SHEET 1 OF 1