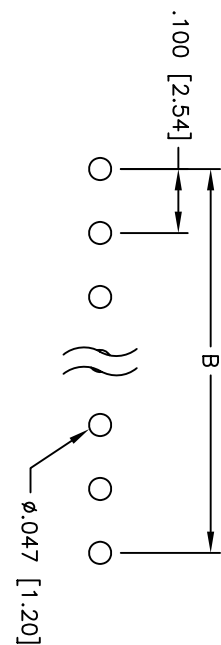
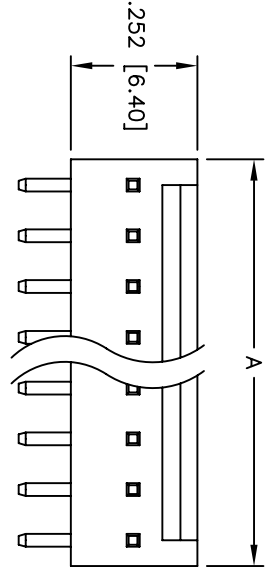
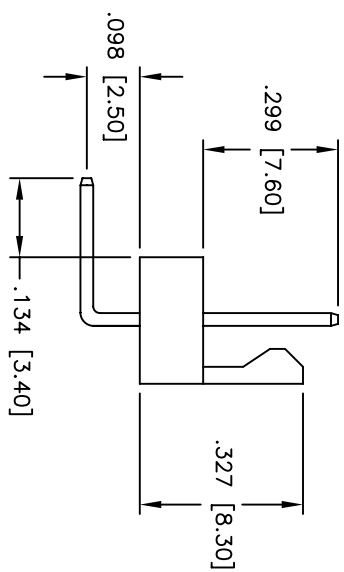
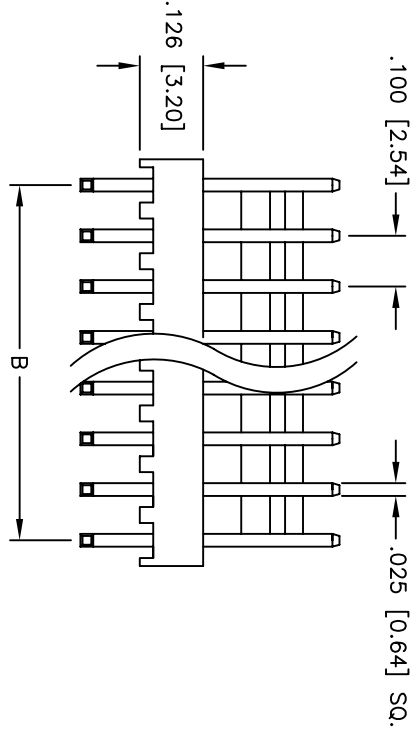


Rev	AWO #	Description	Date	Appr
-		RELEASED	4/8/05	

APPROVED: \_\_\_\_\_  
 DATE: \_\_\_\_\_ TITLE: \_\_\_\_\_



PCB LAYOUT



**SPECIFICATIONS:**  
 Material: Nylon 66, rated UL 94V-0  
 Insulator color: Brown  
 Contacts: Brass  
 Plating: Tin over Copper underplate overall

**Electrical:**  
 Operating voltage: 250 VAC max  
 Current rating: 3 Amps max  
 Contact resistance: 20 mohms max  
 Insulation resistance: 1,000 Mohms min  
 Dielectric withstanding voltage: 1,500 VAC for 1 minute  
 Temperature Rating:  
 Operating temperature: -40°C to +105°C  
 Environmental:  
 Lead free, RoHS compliant  
 Recommended soldering temp: 235°C for 5 seconds



Positions: 2 thru 12  
 A = .100 [2.54] x No. of Positions  
 B = .100 [2.54] x No. of Spaces

UNLESS OTHERWISE SPECIFIED  
 ALL DIMENSIONS ARE IN INCHES [MM]  
 TOLERANCES: EXCEPT AS NOTED

INCHES	HOLES
.X ± .10	ØX ± .10
.XX ± .020	ØXX ± .015
.XXX ± .015	ØXXX ± .010

APPROVALS: \_\_\_\_\_ DATE: \_\_\_\_\_

DRAWN	SS	4/8/05
CHECKED		
APPROVED		

**ADAM TECH**  
 909 Rahway Avenue, Union, NJ 07083  
 Phone: 908-687-5000 Fax: 908-687-5710

TITLE: .100 [2.54] LOCKING HEADER  
 SHORT BACK, RIGHT ANGLE, PCB

SIZE	PART NO.	REV.
X	LHS-XX-TRA	-
REF:	SCALE: NTS	SHEET 1 OF 1