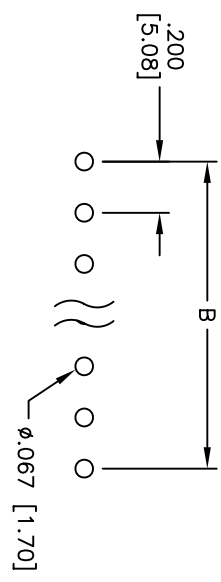
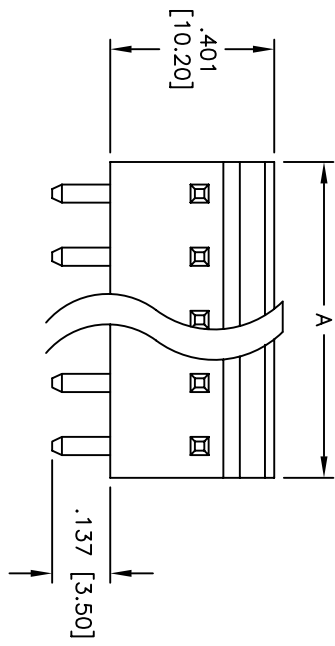
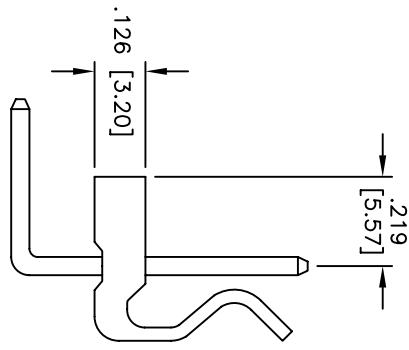
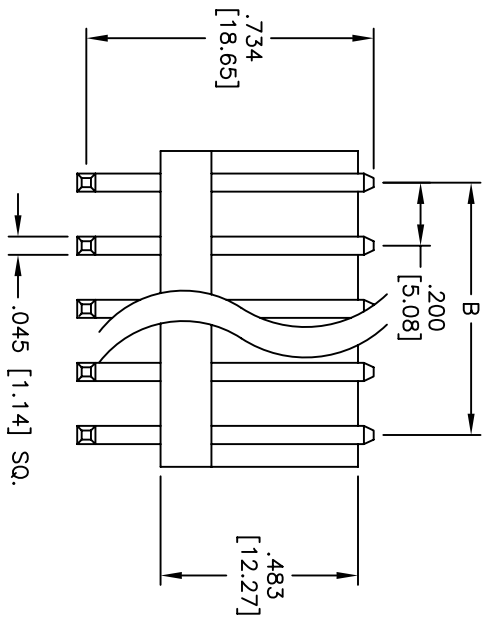


Rev	AWO #	Description	Date	Appr
-		RELEASED	7/6/06	

APPROVED: _____
 DATE: _____ TITLE: _____



PCB LAYOUT



Positions: 2 thru 20
 A = .200 [5.08] x No. of Positions + .190 [4.83]
 B = .200 [5.08] x No. of Spaces

SPECIFICATIONS:

- Material: Insulator: Nylon 66, rated UL 94V-0
- Insulator color: White
- Contacts: Brass
- Plating: Tin over Copper underplate overall
- Electrical: Operating voltage: 250 VAC max
 Current rating: 3 Amps max
 Contact resistance: 10 mohms max
 Insulation resistance: 1,000 Mohms min
 Dielectric withstanding voltage: 1,500 VAC for 1 minute
 Temperature Rating: Operating temperature: -25°C to +90°C
 Temperature Rating: Anti-static plastic bags
 Environmental: Lead free, RoHS compliant
 Recommended soldering temp: 235°C for 5 seconds



UNLESS OTHERWISE SPECIFIED ALL DIMENSIONS ARE INCHES [MM]	
TOLERANCES: EXCEPT AS NOTED	
INCHES	HOLES
.X ± .10	ØXX ± .10
.XX ± .020	ØXXX ± .015
.XXX ± .015	ØXXXX ± .010
APPROVALS	DATE
DRAWN	SS
CHECKED	
APPROVED	

ADAM TECH
 909 Railway Avenue, Union, NJ 07083
 Phone: 908-687-5000 Fax: 908-687-5710

TITLE: .200 [5.08] POWER HEADER, RIGHT
 ANGLE, WITH BACK

SIZE	PART NO.	REV.
X	LHF-XX-SB1	
REF:	SCALE: NTS	SHEET 1 OF 1