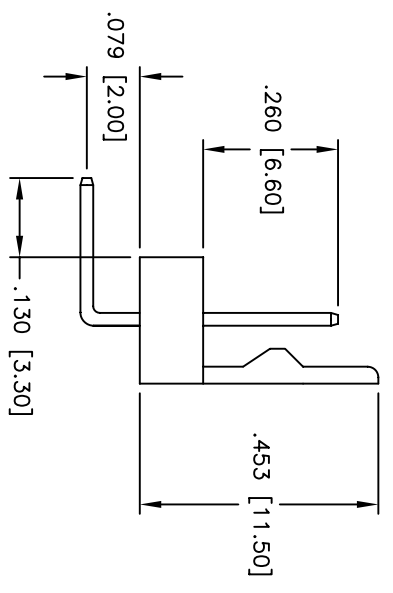
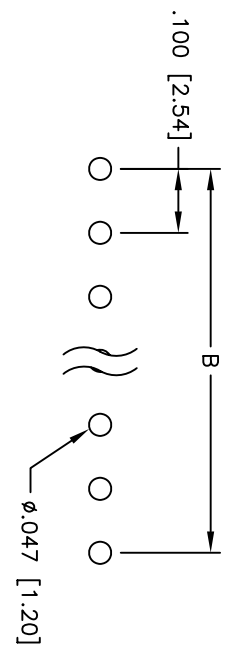
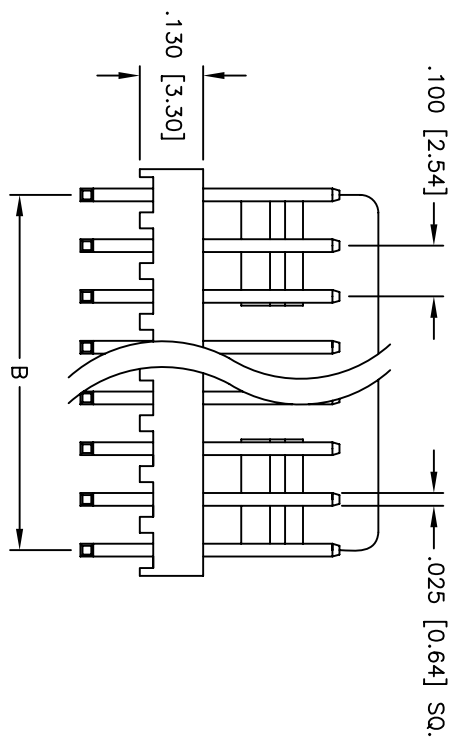
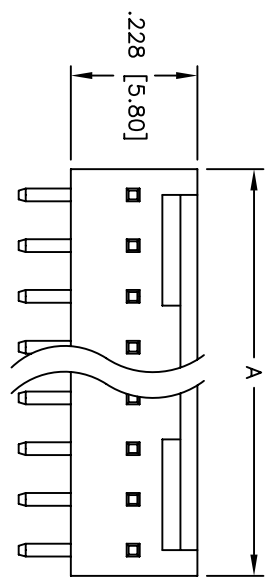


| Rev | AWO # | Description | Date | Appr |
|-----|-------|-------------|--------|------|
| - | | RELEASED | 4/8/05 | |

APPROVED: _____
 DATE: _____ TITLE: _____



Positions: 2 thru 20
 A = .100 [2.54] x No. of Positions
 B = .100 [2.54] x No. of Spaces

SPECIFICATIONS:
 Material: Nylon 66, rated UL 94V-2
 Insulator color: White
 Contacts: Brass
 Plating:
 Tin over Copper underplate overall
 Electrical:
 Operating voltage: 250 VAC max
 Current rating: 2 Amps max
 Contact resistance: 20 mohms max
 Insulation resistance: 1,000 Mohms min
 Dielectric withstanding voltage: 1,500 VAC for 1 minute
 Temperature Rating:
 Operating temperature: -25°C to +85°C
 Environmental:
 Lead free, RoHS compliant
 Recommended soldering temp: 235°C for 5 seconds



| UNLESS OTHERWISE SPECIFIED ALL DIMENSIONS ARE INCHES [MM] | |
|--|--------------|
| TOLERANCES: EXCEPT AS NOTED | |
| INCHES | HOLDS |
| .X ± .10 | ØXX ± .10 |
| .XX ± .020 | ØXXX ± .015 |
| .XXX ± .015 | ØXXXX ± .010 |
| APPROVALS | DATE |
| DRAWN | SS |
| CHECKED | |
| APPROVED | |

ADAM TECH
 909 Railway Avenue, Union, NJ 07083
 Phone: 908-687-5000 Fax: 908-687-5710
 TITLE: .100 [2.54] LOCKING HEADER
 RIGHT ANGLE, PCB

| SIZE | PART NO. | REV. |
|------|------------|--------------|
| X | LHA-XX-TRA | - |
| REF: | SCALE: NTS | SHEET 1 OF 1 |

6 5 4 3 2 1