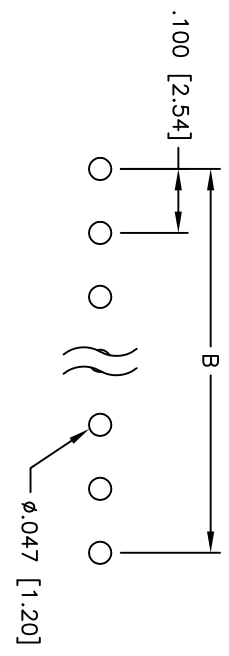
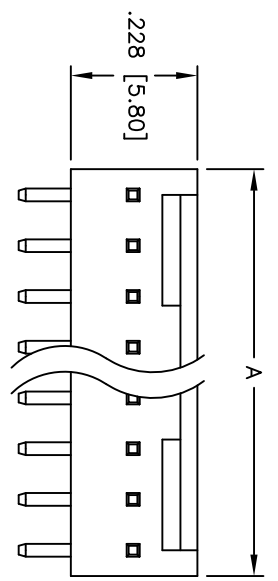
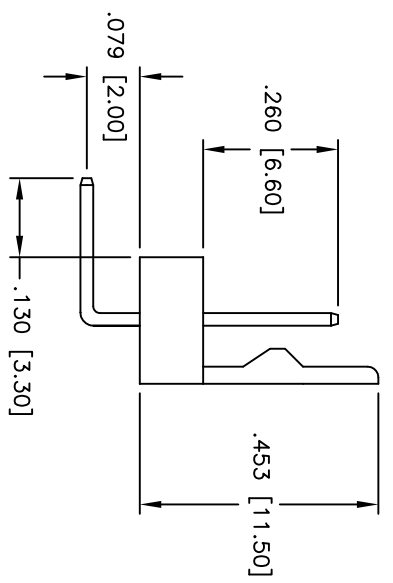
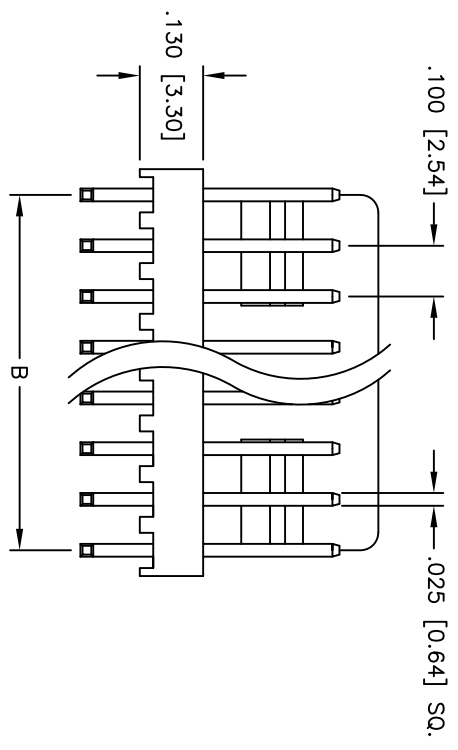


Rev	AWO #	Description	Date	Appr
-		RELEASED	4/8/05	

APPROVED: \_\_\_\_\_  
 DATE: \_\_\_\_\_ TITLE: \_\_\_\_\_



PCB LAYOUT



**SPECIFICATIONS:**  
 Material: Insulator: Hi-temp thermoplastic, rated UL 94V-0  
 Insulator color: White  
 Contacts: Brass  
 Plating: Tin over Copper underplate overall

**Electrical:**  
 Operating voltage: 250 VAC max  
 Current rating: 3 Amps max  
 Contact resistance: 20 mohms max  
 Insulation resistance: 1,000 Mohms min  
 Dielectric withstanding voltage: 1,500 VAC for 1 minute  
 Temperature Rating: Operating temperature: -25°C to +85°C  
 Environmental: Lead free, RoHS compliant  
 Recommended soldering temp: 260°C for 5 seconds

Positions: 2 thru 20  
 A = .100 [2.54] x No. of Positions  
 B = .100 [2.54] x No. of Spaces

UNLESS OTHERWISE SPECIFIED  
 ALL DIMENSIONS ARE INCHES [MM]  
 TOLERANCES: EXCEPT AS NOTED

INCHES	HOLDS	INCHES
.X ± .10	ØXX ± .10	
.XX ± .020	ØXXX ± .015	
.XXX ± .015	ØXXXX ± .010	

APPROVALS	DATE
DRAWN	SS
CHECKED	
APPROVED	

**ADAM TECH**  
 909 Rahway Avenue, Union, NJ 07083  
 Phone: 908-687-5000 Fax: 908-687-5710

TITLE: .100 [2.54] LOCKING HEADER  
 RIGHT ANGLE, PCB

SIZE	PART NO.	REV.
X	LHA-XX-TRA-V0-HT	-

SCALE: NTS SHEET 1 OF 1