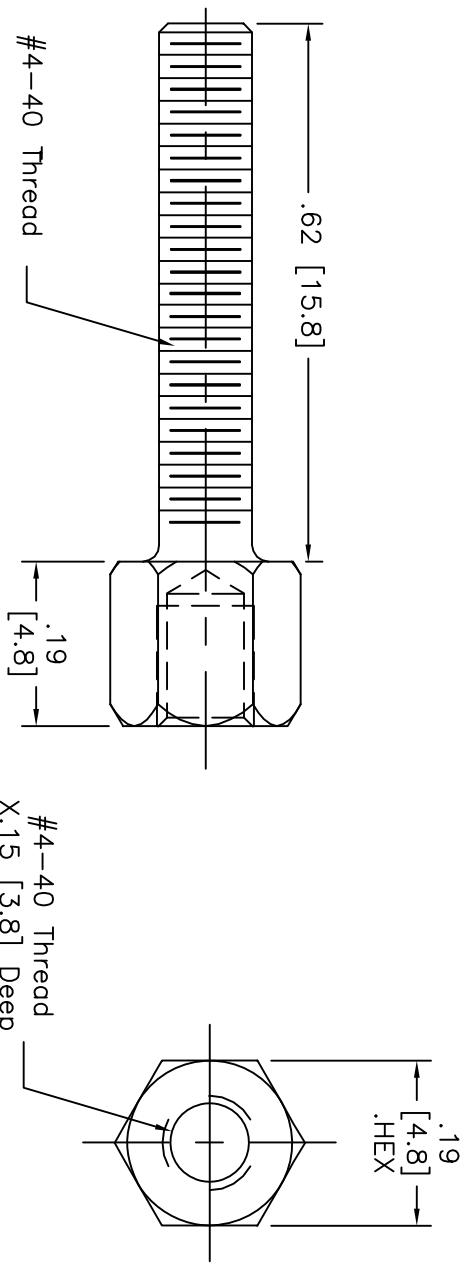


Rev	AWO #	Description	Date	Appr
-		RELEASED	12/02/10	

APPROVED: _____
 DATE: _____ TITLE: _____



SPECIFICATIONS:
 Material: _____
 Body: Steel
 Finish: Zinc with Clear Chromate
Plating:
 Nickel over Copper underplate overall
 Environmental:
 Lead free, RoHS compliant.



UNLESS OTHERWISE SPECIFIED ALL DIMENSIONS ARE INCHES [MM]	
TOLERANCES: EXCEPT AS NOTED	
INCHES	HOLES
.X ± .10	Ø.X ± .10
.XX ± .020	Ø.XXX ± .015
.XXX ± .015	Ø.XXX ± .010
APPROVALS	DATE
DRAWN DY	12/02/10
CHECKED	
APPROVED	

ADAM TECH
 909 Railway Avenue, Union, NJ 07083
 Phone: 908-687-5000 Fax: 908-687-5710

TITLE: JACK SCREW, #4-40 THREAD

SIZE	PART NO.	REV.
X	JS-30	-
REF:	S00064T	
SCALE:	NTS	
SHEET	1 OF 1	