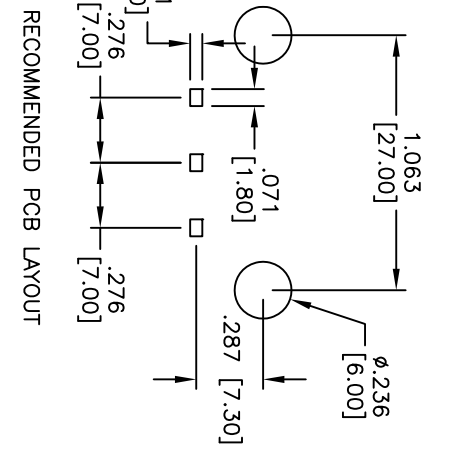
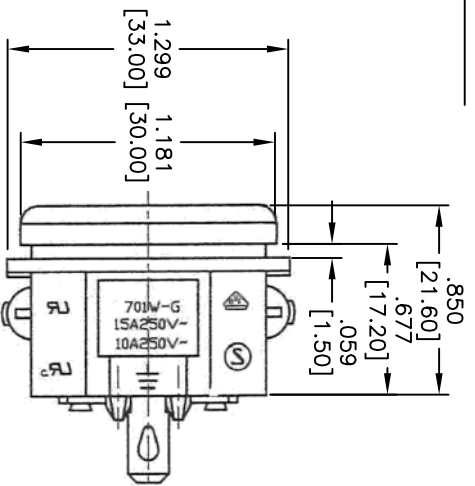
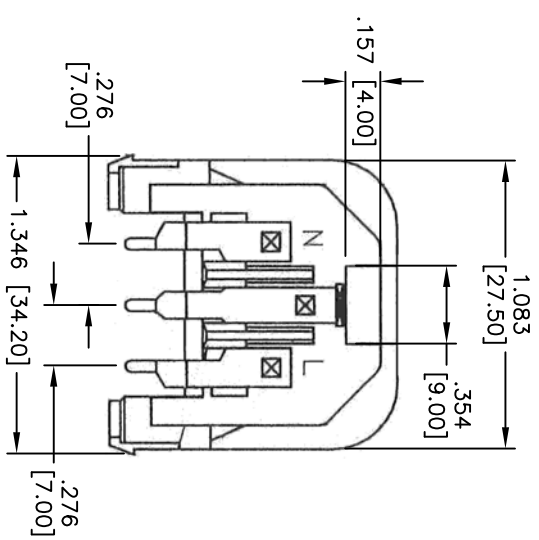
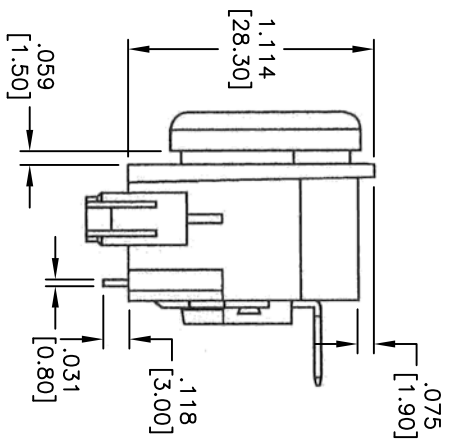
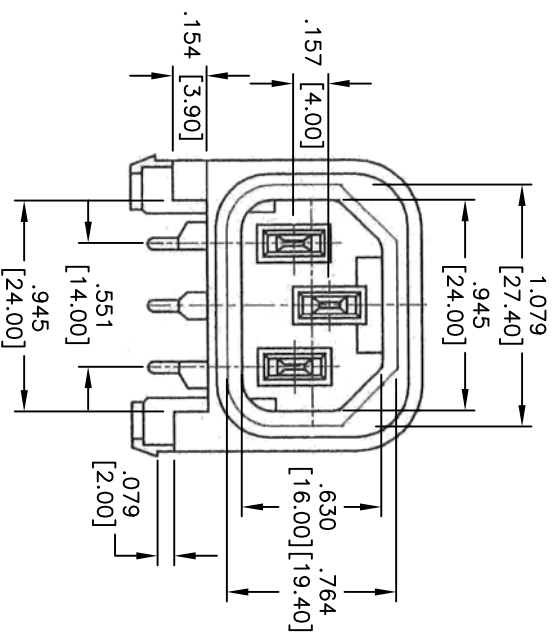


Rev	AWO #	Description	Date	Appr
-		RELEASED	10/26/09	

APPROVED: \_\_\_\_\_  
 DATE: \_\_\_\_\_ TITLE: \_\_\_\_\_



RECOMMENDED PCB LAYOUT



**SPECIFICATIONS:**

Material: Insulator: Thermoplastic, rated UL 94V-0  
 Insulator color: Black  
 Soldering Pin: Brass, Tin plated  
 Contact: Brass, Nickel plated  
 Electrical:  
 Rating: 15A/10A 250 VAC  
 Temperature Rating: Operating temperature: -25°C to +70°C  
 Environmental: Lead free, RoHS compliant



**ADAM TECH**

909 Railway Avenue, Union, NJ 07083  
 Phone: 908-687-5000 Fax: 908-687-5710

IEC INLET, SNAP IN MOUNTING, R/A, 250V

UNLESS OTHERWISE SPECIFIED ALL DIMENSIONS ARE INCHES [MM]	
TOLERANCES: EXCEPT AS NOTED	
INCHES	HOLDS
.X ± .10	ØX ± .10
.XX ± .020	ØXX ± .015
.XXX ± .015	ØXXX ± .010
APPROVALS	DATE
DRAWN DY	10/26/09
CHECKED	
APPROVED	

SIZE	PART NO.	REV.
X	IEC-S-4-150	-
REF:	S00061T	SCALE: NTS
		SHEET 1 OF 1