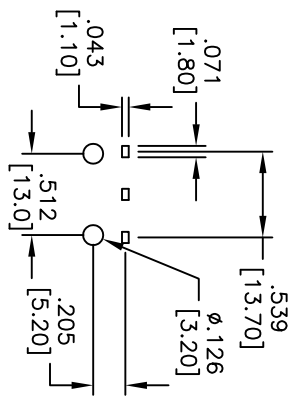
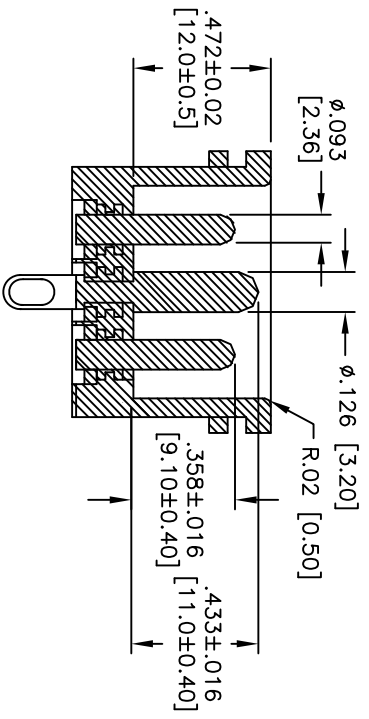
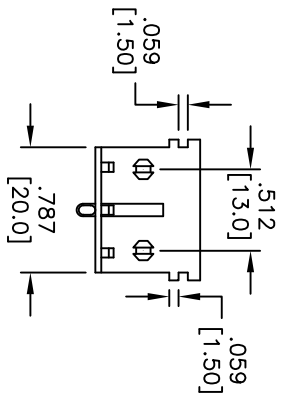
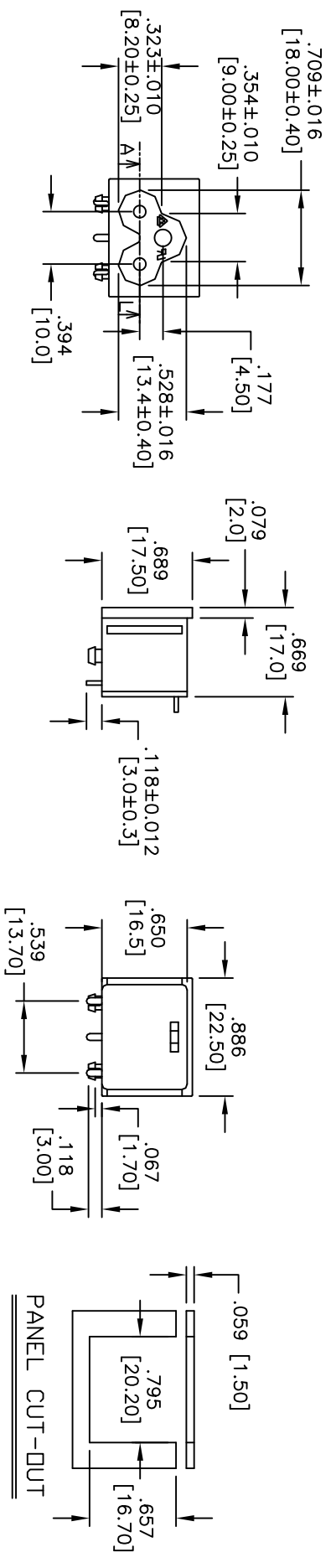


APPROVED: _____	TITLE: _____	DATE: _____
Rev	AWO #	Description
-		RELEASED
		Date
		10/28/09
		Appr



2/1 SECTIONAL

PCB LAYOUT

**SPECIFICATIONS:**  
 Material: \_\_\_\_\_  
 Insulator: Nylon 66, rated UL 94V-0  
 Insulator color: Black  
 Contacts: Phosphor Bronze, Tin Plated  
 Electrical:  
 Operation voltage: 250 VAC max  
 Current rating: 2.5 Amps max  
 Insulation resistance: 100 Mohms min @ 500 VDC  
 Dielectric withstanding voltage: 2000 VAC for 1 minute  
 Environmental:  
 Lead free, RoHS compliant.  
 Recommended soldering temp: 235±XC for 5 sec.

UNLESS OTHERWISE SPECIFIED ALL DIMENSIONS ARE INCHES [MM] TOLERANCES: EXCEPT AS NOTED INCHES	
X .XX ± .10	ØXX ± .10
.XX ± .020	ØXX ± .015
.XXX ± .015	ØXXX ± .010
APPROVALS	DATE
DRAWN	DY
CHECKED	
APPROVED	

**ADAM TECH**  
 909 Railway Avenue, Union, NJ 07083  
 Phone: 908-687-5000 Fax: 908-687-5710

TITLE	IEC 60320, C6, RIGHT ANGLE, PCB TERMINAL, PANEL MOUNT
SIZE	IEC-NH-4A
PART NO.	
SCALE	NTS
SHEET	1 OF 1

