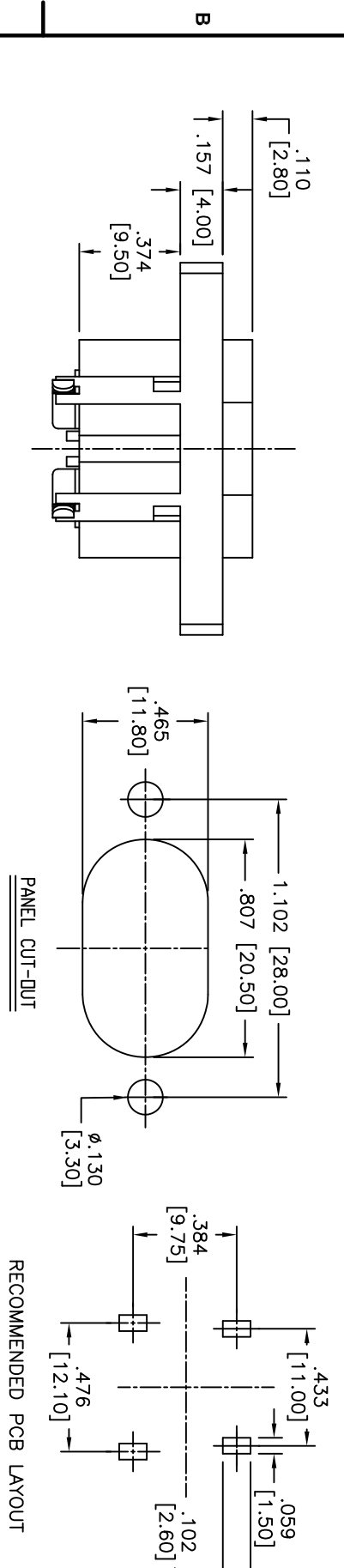
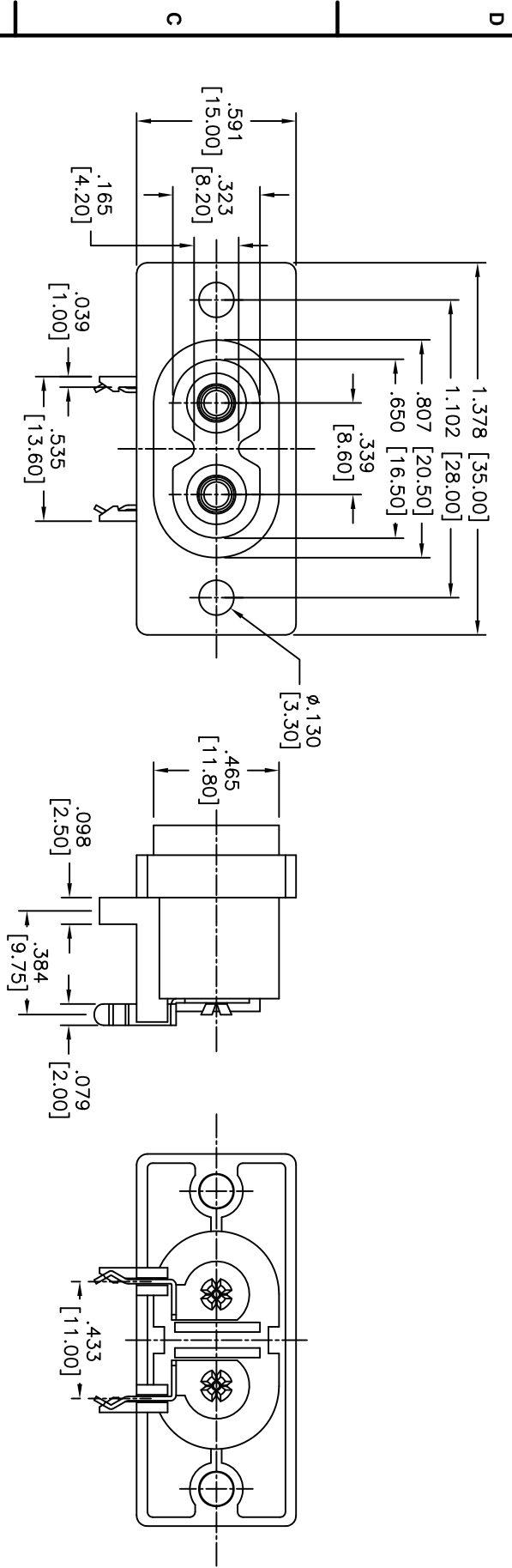


Rev	AWO #	Description	Date	Appr
-		RELEASED	8/20/10	

APPROVED: _____
 DATE: _____ TITLE: _____



PANEL CUT-DOUT

RECOMMENDED PCB LAYOUT

SPECIFICATIONS:

Material: Nylon 66, rated UL 94V-0
 Insulator color: Black
 Contact: Brass

Electrical:
 Operation voltage: 250 VAC max
 Current rating: 2.5 Amps max
 Insulation resistance: 100 Mohms min @ 500 VDC
 Dielectric withstanding voltage: 2000 VAC for 1 minute

Environmental:
 Lead free, RoHS Compliant



UNLESS OTHERWISE SPECIFIED
 ALL DIMENSIONS ARE MM [INCHES]
 TOLERANCES: EXCEPT AS NOTED

INCHES	HOLES
X ± .10	ØX ± .10
.XX ± .020	ØXX ± .015
.XXX ± .015	ØXXX ± .010

APPROVALS: _____ DATE: 8/20/10

ADAM TECH
 909 Rahway Avenue, Union, NJ 07083
 Phone: 908-687-5000 Fax: 908-687-5710

TITLE: MINI-IEC, RIGHT ANGLE, R/A PCB MOUNT

APPROVED	CHECKED	DRAWN
		DY

SIZE	PART NO.	SCALE	SHEET
X	IEC-NC-B-4-A	NTS	1 OF 1