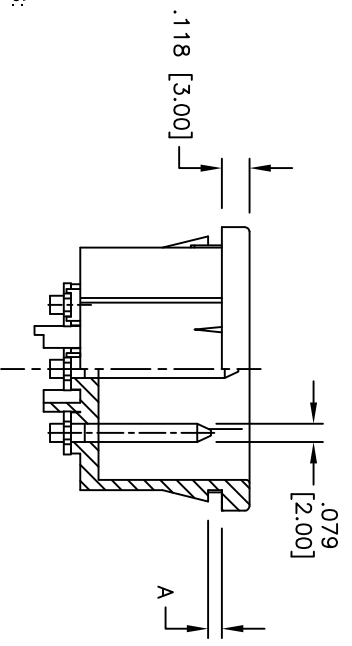
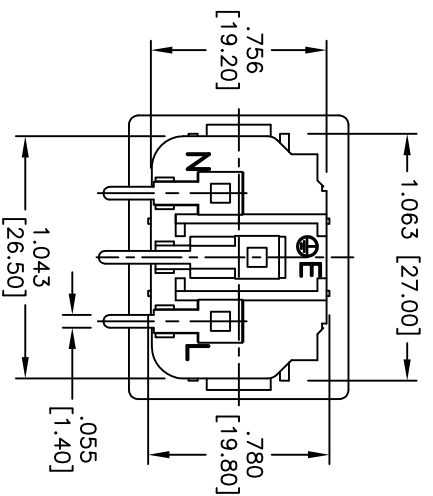
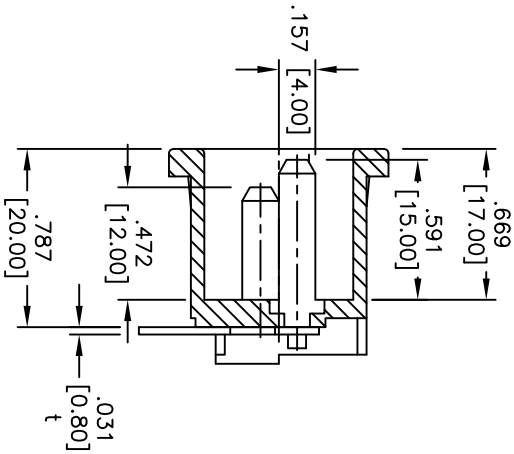
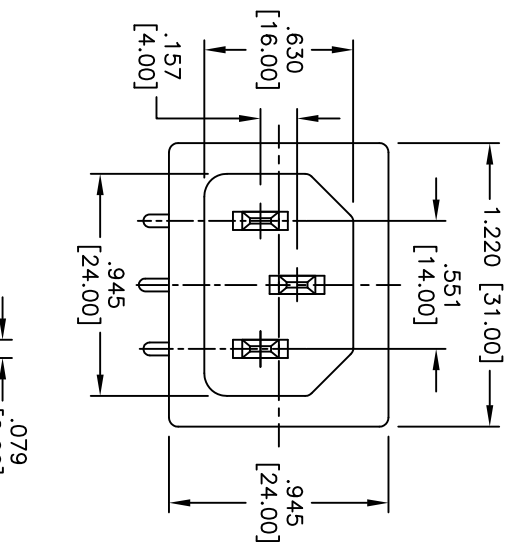


Rev	AWO #	Description	Date	Appr
-		RELEASED	6/7/710	

APPROVED: \_\_\_\_\_  
 DATE: \_\_\_\_\_ TITLE: \_\_\_\_\_



PART NUMBER	DIMENSIONS
IEC-J-4-080-NST	.031 [0.80]
IEC-J-4-150-NST	.059 [1.50]
IEC-J-4-200-NST	.079 [2.00]

**SPECIFICATIONS:**  
 Material: Insulator: Thermoplastic, rated UL 94V-0  
 Insulator color: Black  
 Contacts: Brass  
 Plating: Nickel over Copper underplate overall  
 PCB pins: Tin over Copper underplate  
 Electrical:  
 Operating voltage: 250 VAC  
 Current rating: VDE: 10 Amps max & CSA: 15 Amps max  
 Dielectric withstanding voltage: 2,000 VAC for 1 minute  
 Temperature Rating: Operating temperature: -25°C to +70°C  
 Environmental: Lead free, RoHS compliant  
 Recommended soldering temp: 235°C for 5 seconds



UNLESS OTHERWISE SPECIFIED  
 ALL DIMENSIONS ARE INCHES [MM]  
 TOLERANCES: EXCEPT AS NOTED  
 INCHES: .X ± .10 ØXX ± .015  
 .XX ± .020 .XXX ± .010  
 .XXX ± .015  
 APPROVALS: \_\_\_\_\_ DATE: \_\_\_\_\_

**ADAM TECH**  
 909 Rahway Avenue, Union, NJ 07083  
 Phone: 908-687-5000 Fax: 908-687-5710  
 TITLE: IEC MALE INLET, SNAP-IN PANEL MOUNT  
 RIGHT ANGLE, PCB TAILS

DRAWN	BY	DATE	SIZE	PART NO.	REV.
CHECKED			X	IEC-J-4-XXX-NST	-
APPROVED			REF: S0080T	SCALE: NTS	SHEET 1 OF 1